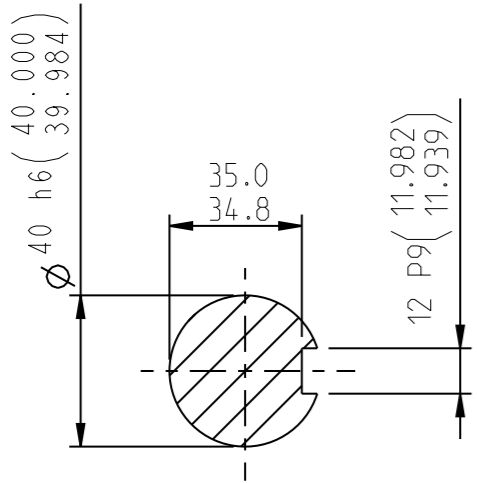
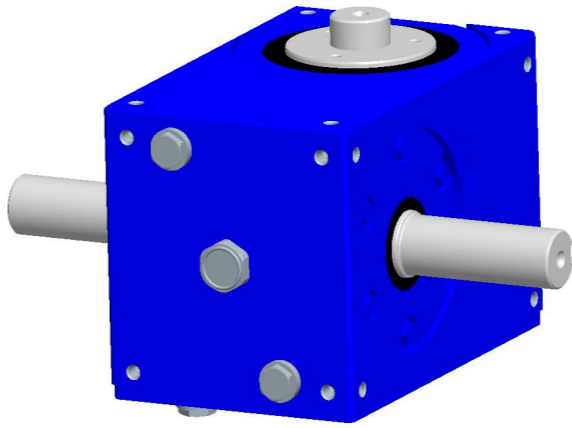
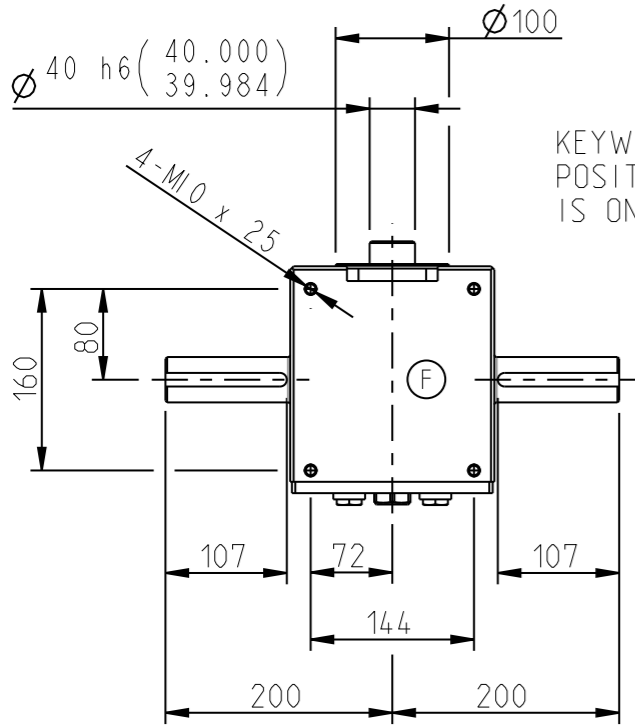
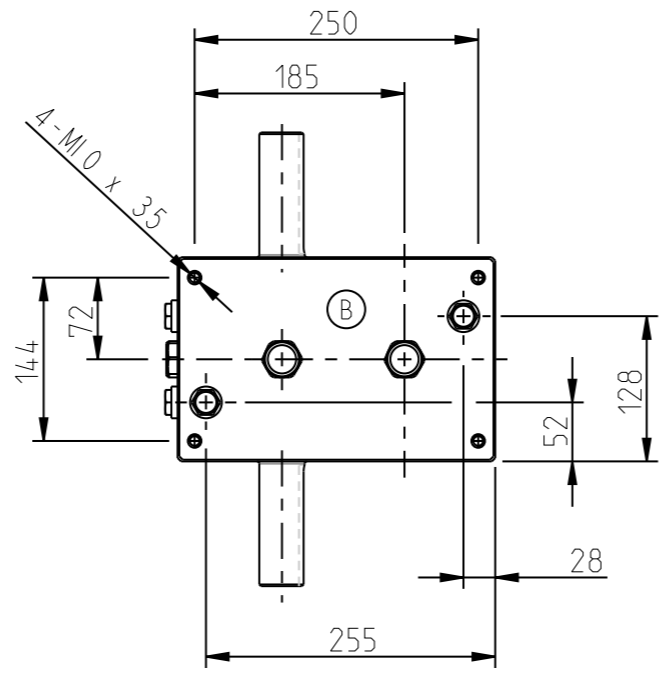


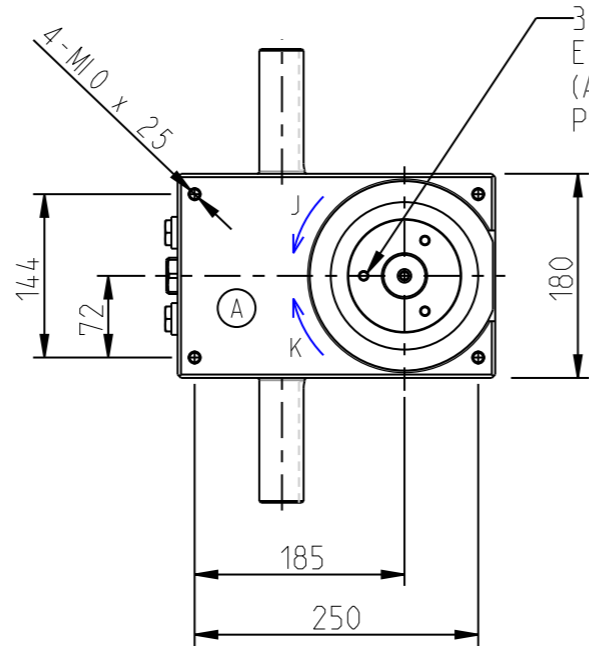
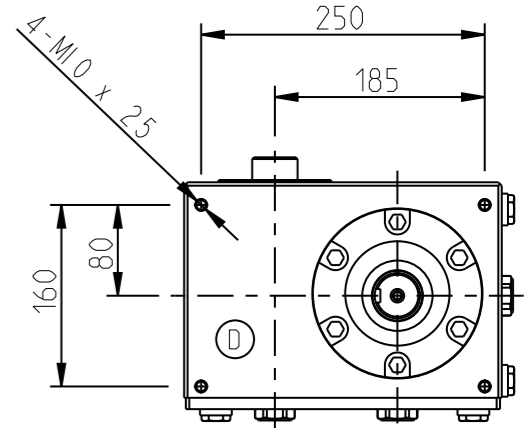
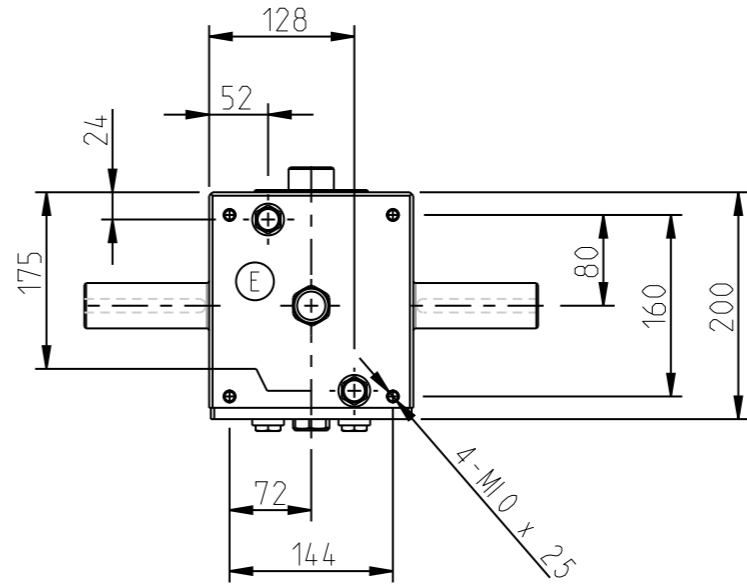
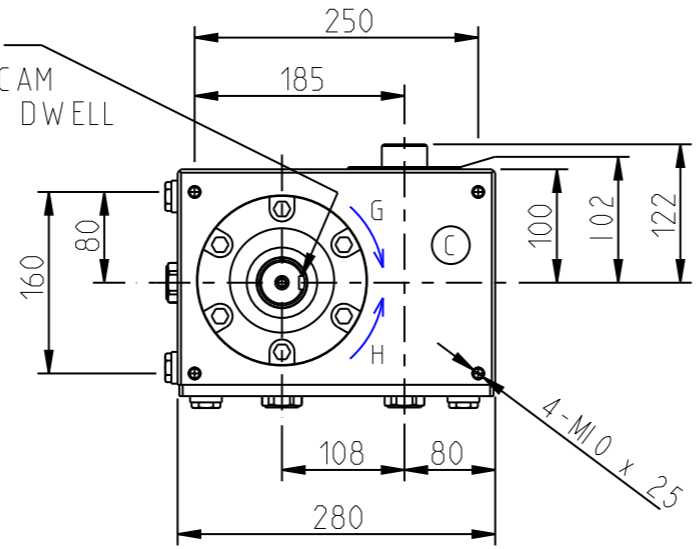
SIZE	GC 110
No OF STOPS	
MOTION LAW	
INDEX ANGLE	
CAM GEOMETRY	
CAM TYP	
CAM HANDING	
MOUNTING POS.	
MOUNTING FACE	
INPUT SHAFT P.	



SECTION X-X (SCALE 1:2)
TYP. SECTION THRO'
INPUT SHAFTS



KEYWAY IN THIS POSITION WHEN CAM IS ON CENTRE OF DWELL



3-HOLES TAPPED M8 x 20 DEEP
EQUI-SPACED ON 72 P.C.D.
(A TAPPED HOLE WILL APPEAR IN THIS
POSITION WHEN CAM IS ON DWELL)

	Massstab	Datum	Name	Material			
	1:5	Bearb. 21.09.07		All. Toleranz	SN 258440-f		
		Gepf.		Ersetzt durch			
		Plot		Ersatz fuer			
h					GC 110 INDEXER		
g						Witzbergstr. 23 CH-8330 Pfaeffikon	GC 110 CATALOG
f							
e							
d							
c							
b			Blatt 1				
a			1 BL				
Nr.	Aenderung	Datum	Name	Schutzvermerk n. DIN 34 beach.	EDV Nr. GC110_CATALOG		