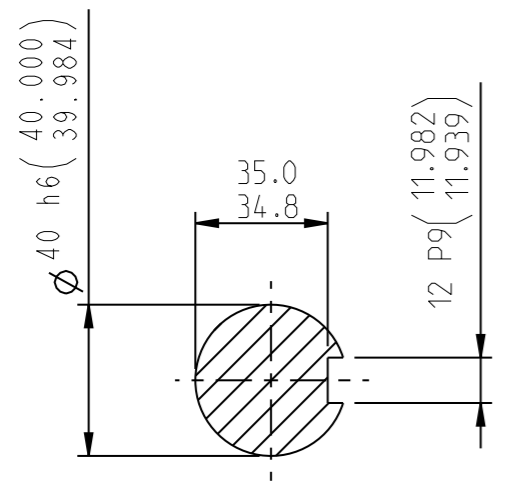
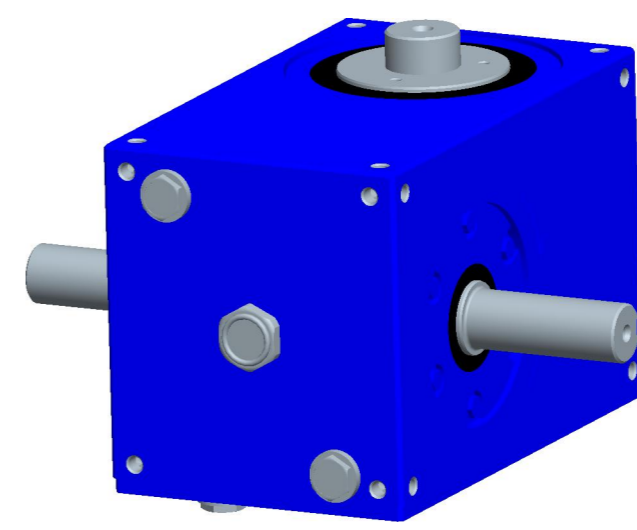
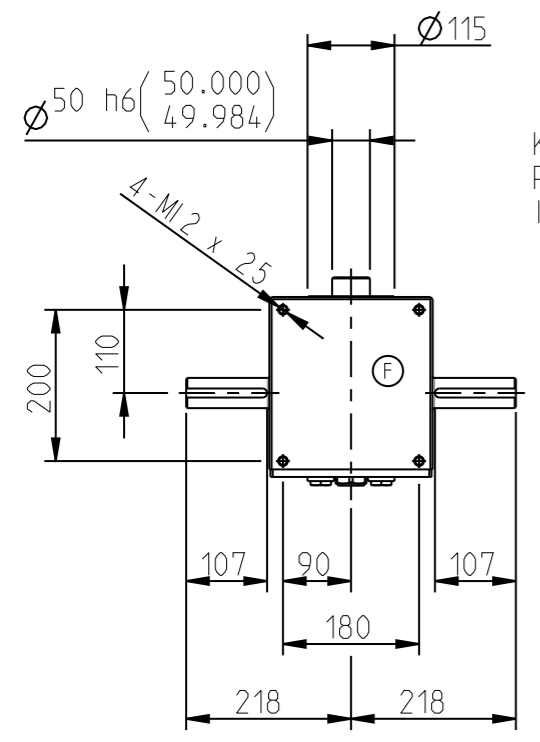
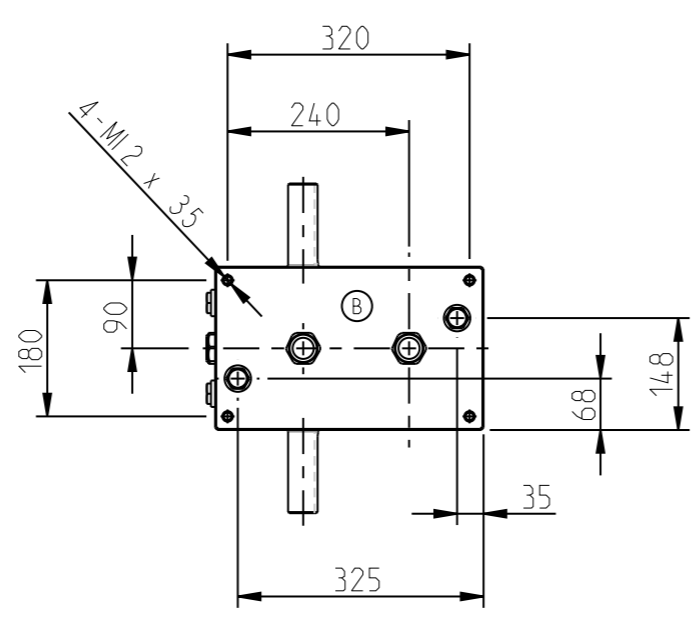


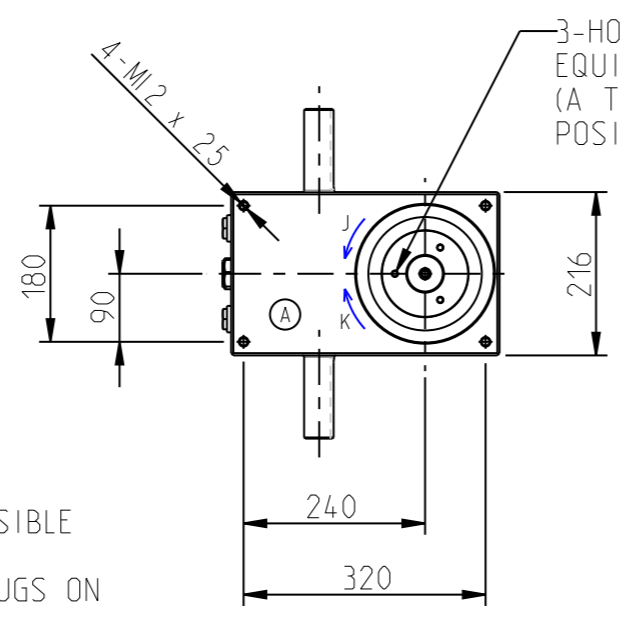
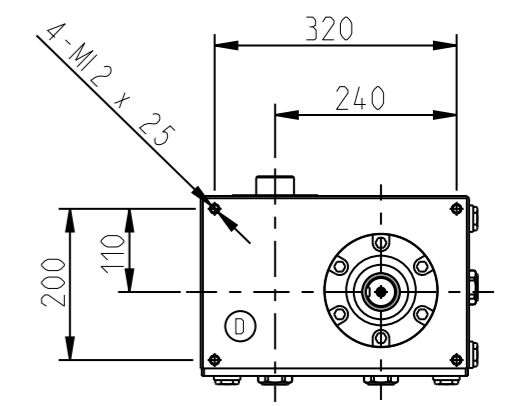
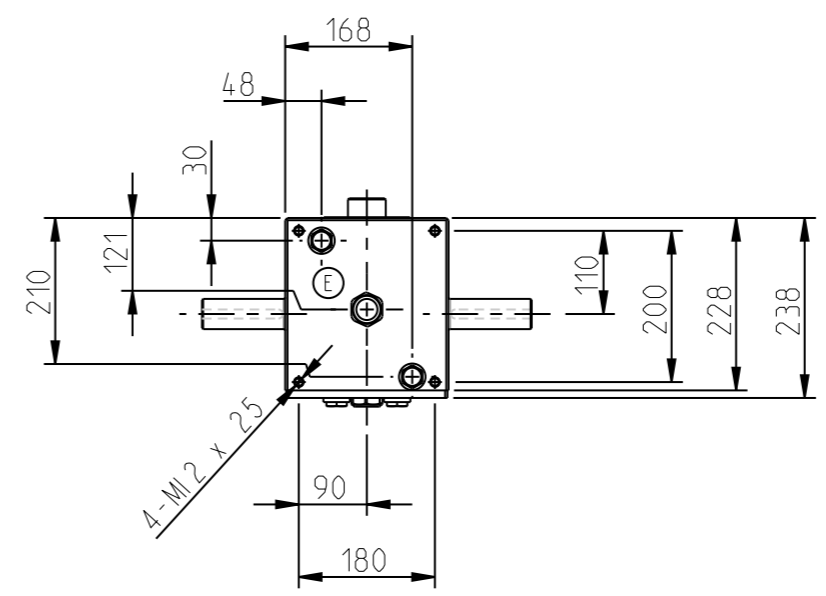
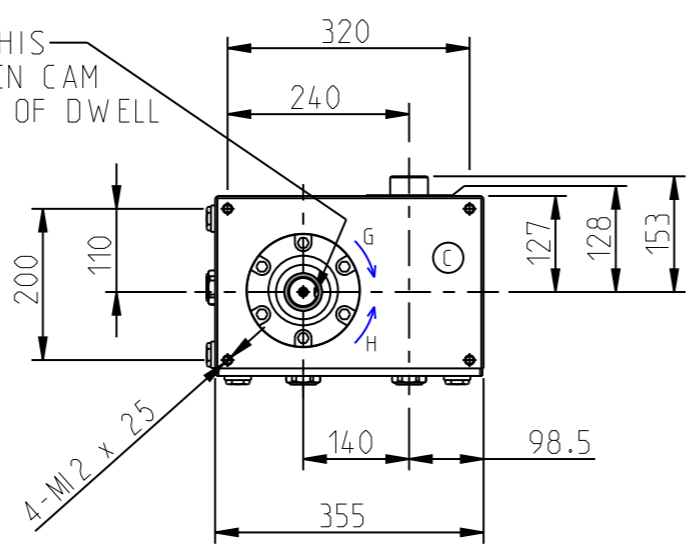
|                |        |
|----------------|--------|
| SIZE           | GC 140 |
| No OF STOPS    |        |
| MOTION LAW     |        |
| INDEX ANGLE    |        |
| CAM GEOMETRY   |        |
| CAM TYP        |        |
| CAM HANDING    |        |
| MOUNTING POS.  |        |
| MOUNTING FACE  |        |
| INPUT SHAFT P. |        |



SECTION X-X (SCALE 1:2)  
TYP. SECTION THRO'  
INPUT SHAFTS



KEYWAY IN THIS POSITION WHEN CAM IS ON CENTRE OF DWELL



3-HOLES TAPPED M8 x 20 DEEP  
EQUI-SPACED ON 80 P.C.D.  
(A TAPPED HOLE WILL APPEAR IN THIS POSITION WHEN CAM IS ON DWELL)

NOTE!  
THE OIL PLUGS HAVE BEEN SHOWN FOR ALL POSSIBLE MOUNTING POSITIONS.  
IN A STANDARD UNIT THERE WILL BE 3 OIL PLUGS ON ANY ONE FACE.

|          |  |                      |  |       |  |               |  |                                |  |                                       |  |               |  |  |  |
|----------|--|----------------------|--|-------|--|---------------|--|--------------------------------|--|---------------------------------------|--|---------------|--|--|--|
| h        |  | g                    |  | f     |  | e             |  | d                              |  | c                                     |  | b             |  | a  |  |
| Nr.      |  | Aenderung            |  | Datum |  | Name          |  | Schutzvermerk n. DIN 34 beach. |  | EDV Nr.                               |  | GC140_CATALOG |  | Blatt 1 1 BL   |  |
| Massstab |  | 1:10                 |  | Datum |  | 21.09.07      |  | Name                           |  | Witzbergstr. 23<br>CH-8330 Pfaeffikon |  | Material      |  | GC 140 INDEXER<br>INSTALLATION DRAWING<br>GC 140 CATALOG |  |
| Bearb.   |  | Gepr.                |  | Plot  |  | All. Toleranz |  | Ersetzt durch                  |  | Ersatz fuer                           |  | SN 258440-f   |  |  |  |
| inmara   |  | Successful Solutions |  |       |  |               |  |                                |  |                                       |  |               |  |  |  |