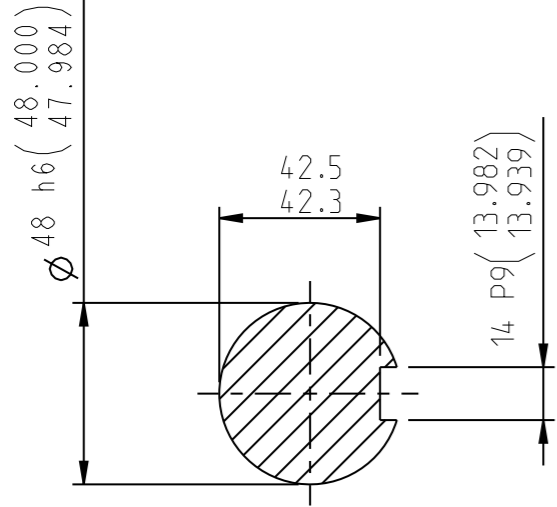
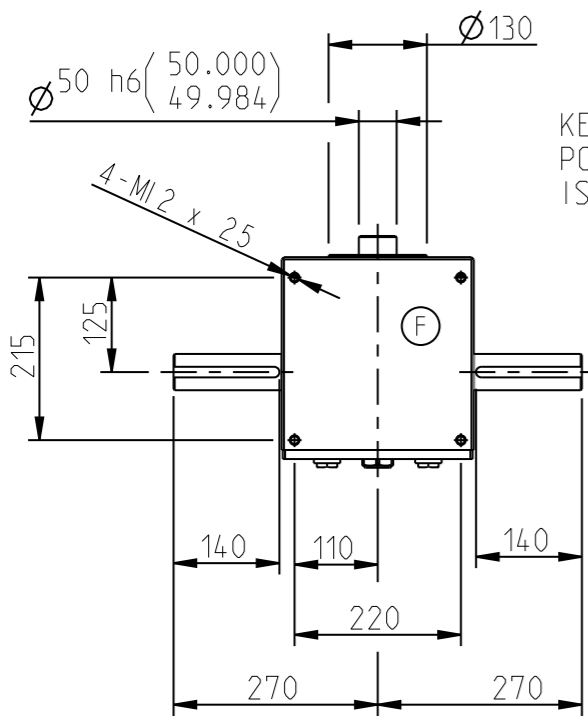
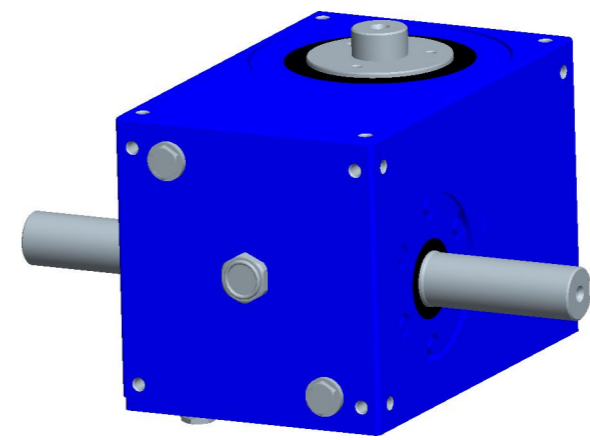
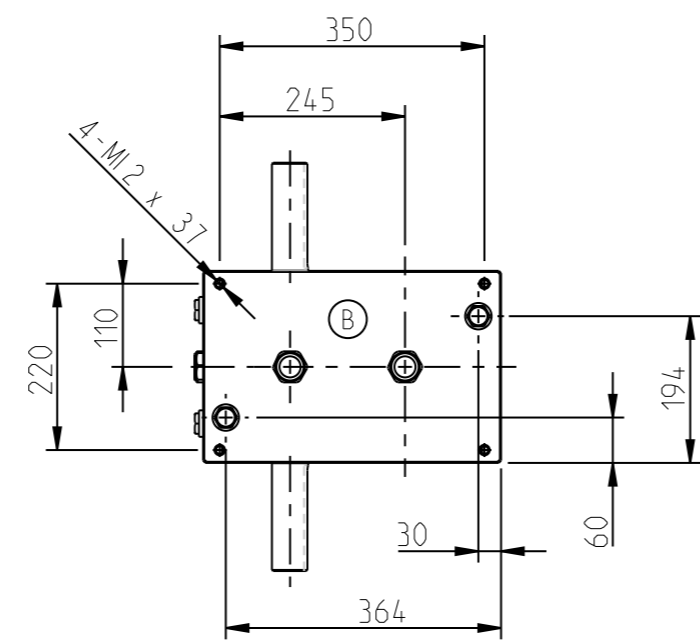


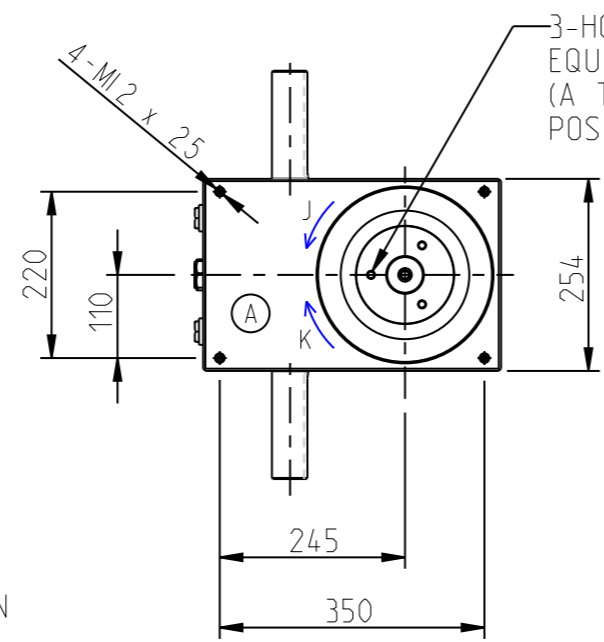
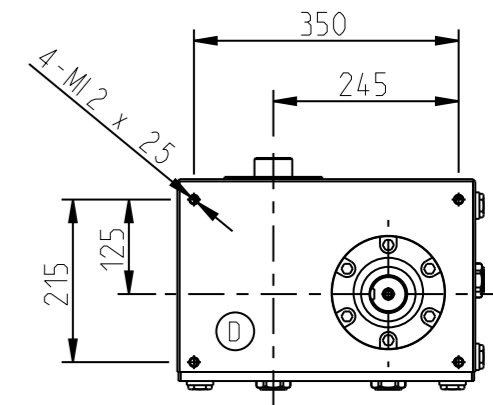
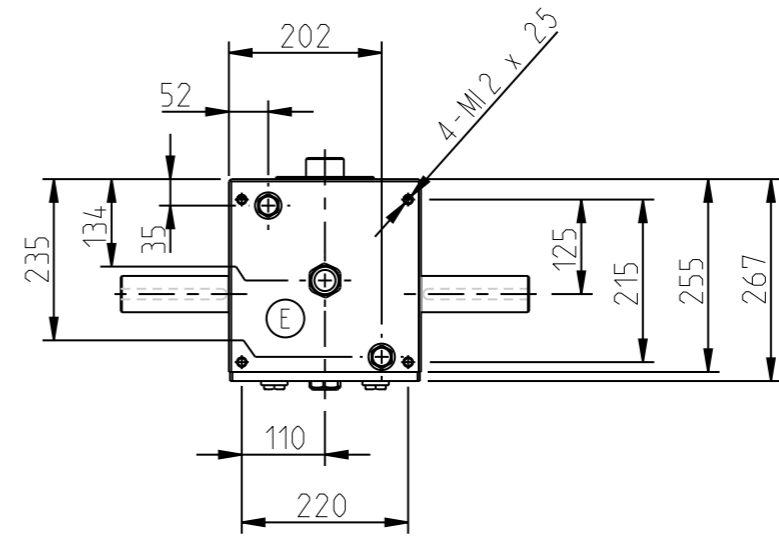
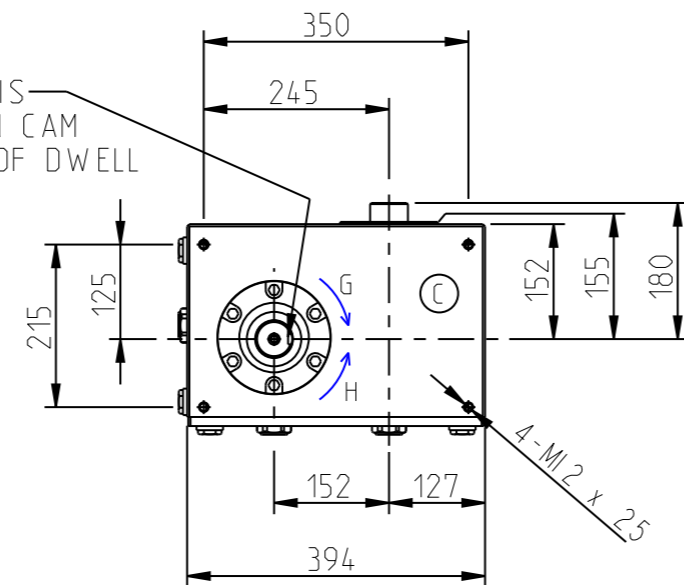
| | |
|----------------|--------|
| SIZE | GC 150 |
| No OF STOPS | |
| MOTION LAW | |
| INDEX ANGLE | |
| CAM GEOMETRY | |
| CAM TYP | |
| CAM HANDING | |
| MOUNTING POS. | |
| MOUNTING FACE | |
| INPUT SHAFT P. | |



SECTION X-X (SCALE 1:2)
TYP. SECTION THRO'
INPUT SHAFTS



KEYWAY IN THIS POSITION WHEN CAM IS ON CENTRE OF DWELL



3-HOLES TAPPED M10 x 20 DEEP
EQUI-SPACED ON 90 P.C.D.
(A TAPPED HOLE WILL APPEAR IN THIS
POSITION WHEN CAM IS ON DWELL)

NOTE!
THE OIL PLUGS HAVE BEEN SHOWN FOR ALL POSSIBLE
MOUNTING POSITIONS.
IN A STANDARD UNIT THERE WILL BE 3 OIL PLUGS ON
ANY ONE FACE.

| | | | | | | |
|-----|-----------|----------|------|---------------------------------------|-----------------------|------|
| | Massstab | Datum | Name | Material | | |
| | 1:10 | 21.09.07 | | All. Toleranz | SN 258440-f | |
| | | | | Ersetzt durch | | |
| | | | | Ersatz fuer | | |
| h | | | | | | |
| g | | | | | | |
| f | | | | | | |
| e | | | | | | |
| d | | | | | | |
| c | | | | | | |
| b | | | | | | |
| a | | | | GC 150 INDEXER | Blatt 1 | |
| Nr. | Aenderung | Datum | Name | Witzbergstr. 23 CH-8330 Pfaeffikon | GC 150 CATALOG | |
| | | | | Schutzvermerk n. DIN 34 beach. | EDV Nr. GC150_CATALOG | 1 BL |