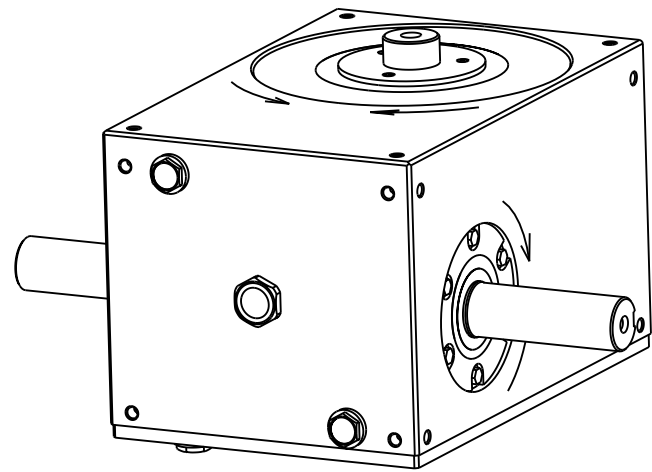
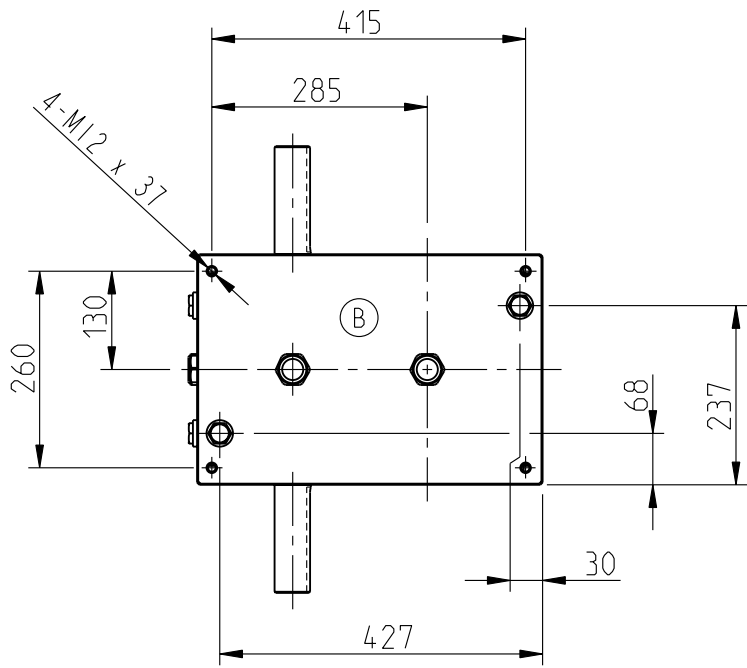
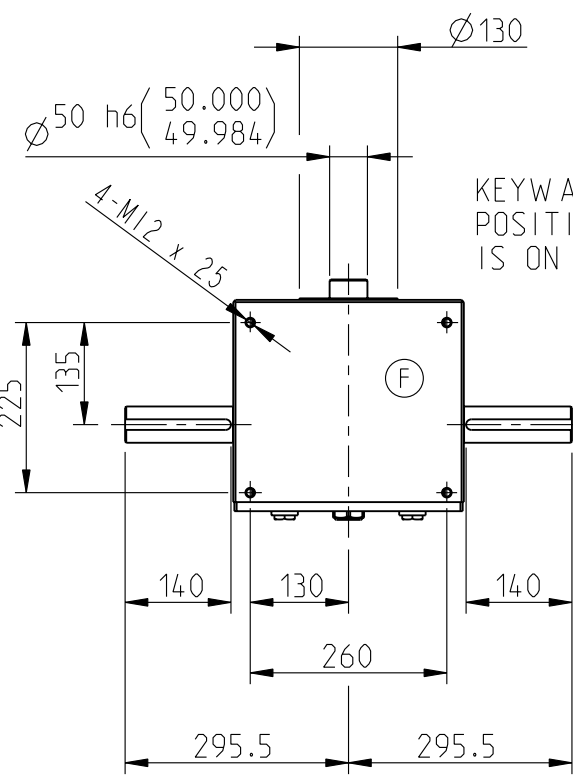


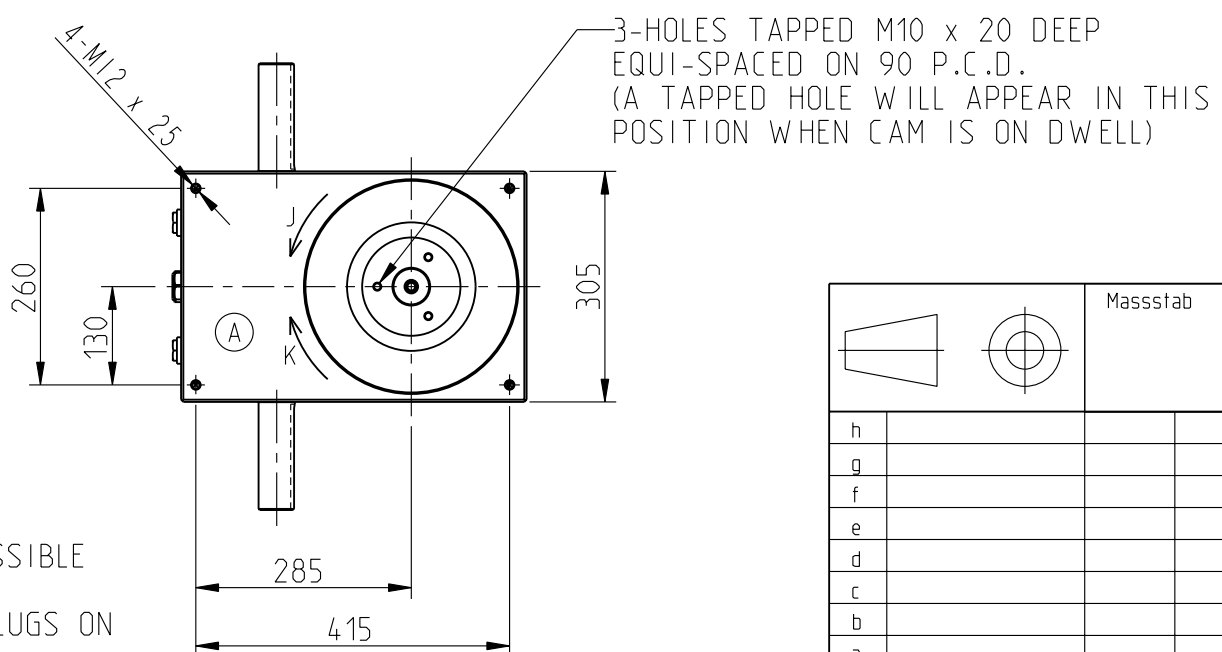
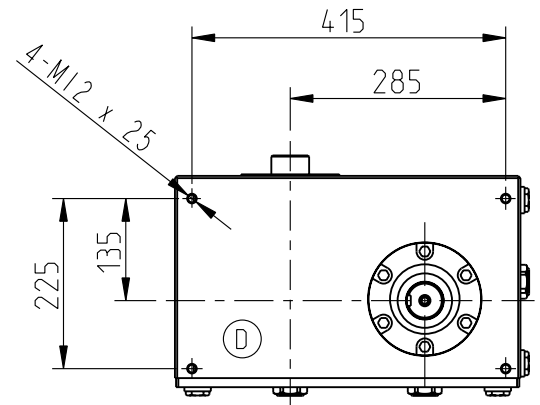
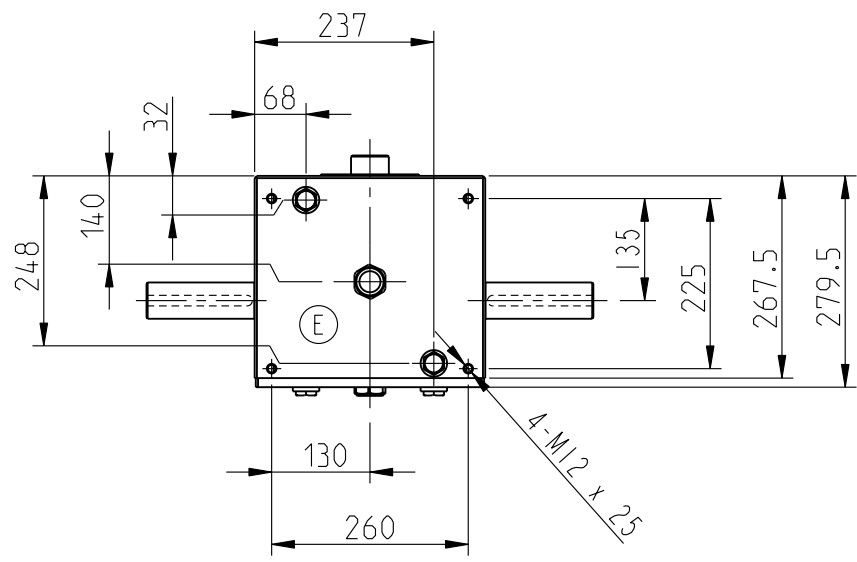
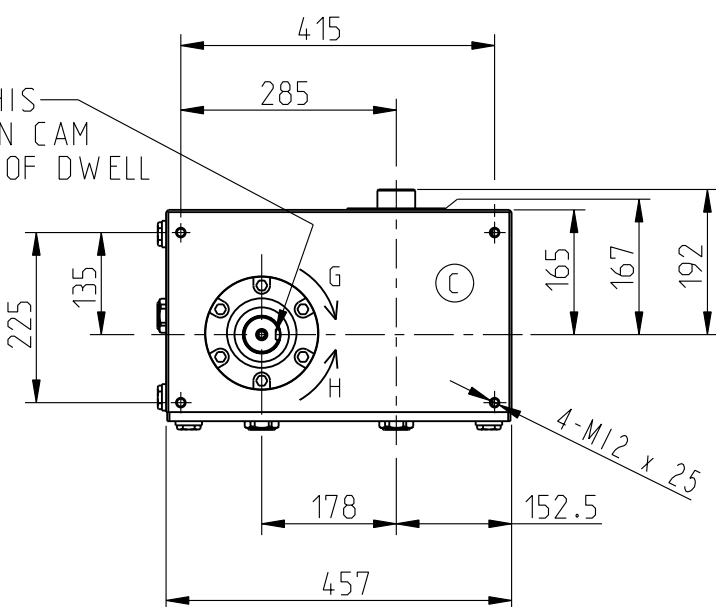
SECTION X-X (SCALE 1:2)  
TYP. SECTION THRO'  
INPUT SHAFTS



SIZE	GC 180
No OF STOPS	
MOTION LAW	
INDEX ANGLE	
CAM GEOMETRY	
CAM TYP	
CAM HANDING	
MOUNTING POS.	
MOUNTING FACE	
INPUT SHAFT P.	



KEYWAY IN THIS POSITION WHEN CAM IS ON CENTRE OF DWELL



NOTE!  
THE OIL PLUGS HAVE BEEN SHOWN FOR ALL POSSIBLE MOUNTING POSITIONS.  
IN A STANDARD UNIT THERE WILL BE 3 OIL PLUGS ON ANY ONE FACE.

		Masstab	Datum	Name	Material
Bearb.					All. Toleranz SN 258440-f
Gepr.					Ersetzt durch
Plot					Ersatz fuer
h					<b>inmara</b> Successful Solutions GC 180 INDEXER INSTALLATION DRAWING GC 180_CATALOG
g					
f					
e					
d					
c					
b				Witzbergstr. 23 CH-8330 Pfaeffikon	Blatt 1
a					1 BL
Nr.	Aenderung	Datum	Name	Schutzvermerk n. DIN 34 beach.	EDV Nr. GC 180_CATALOG