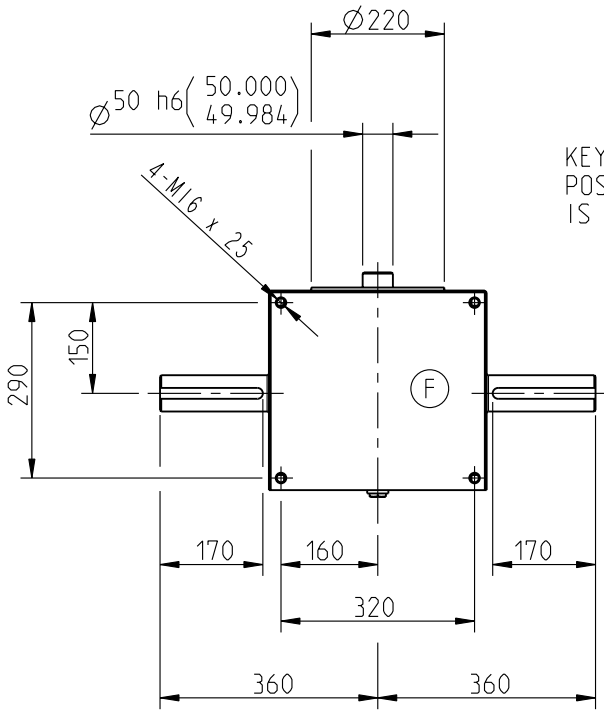
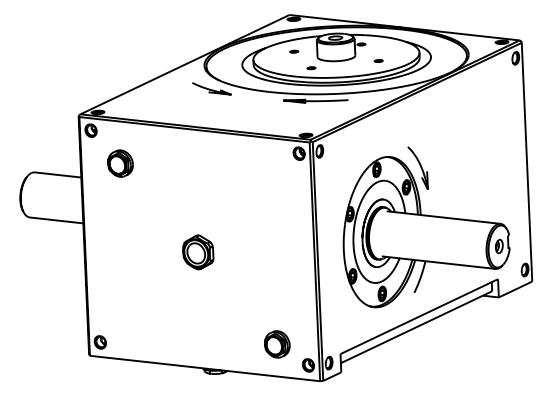
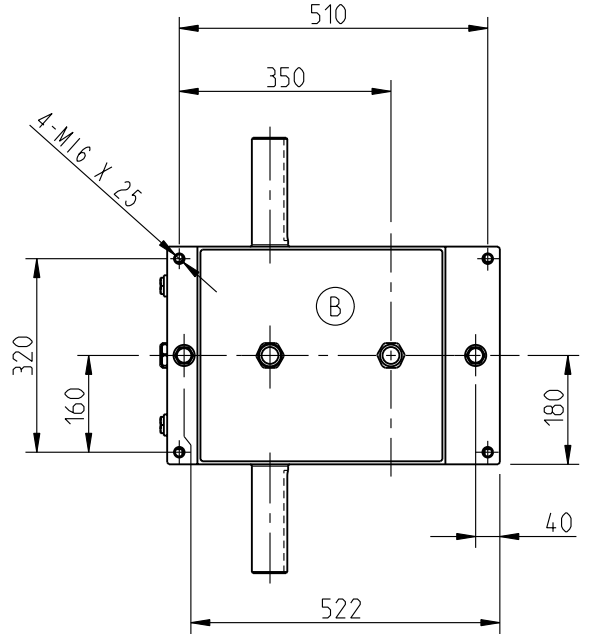
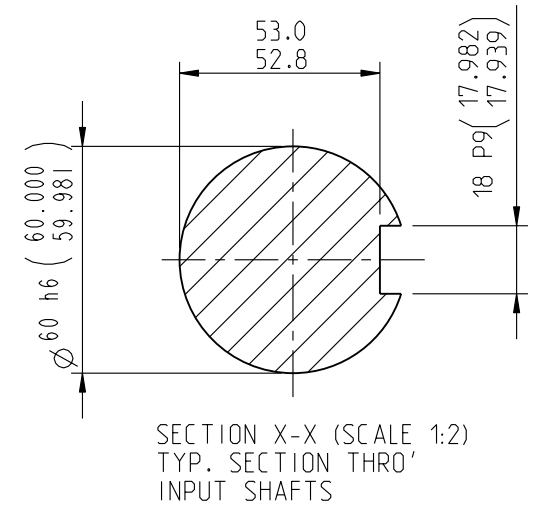


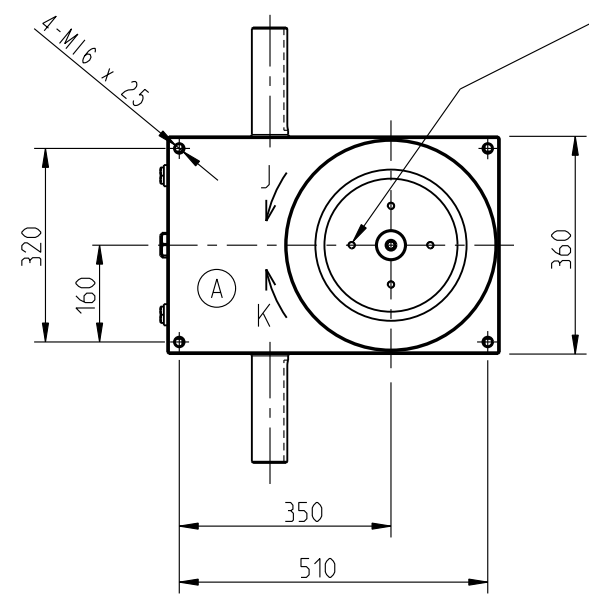
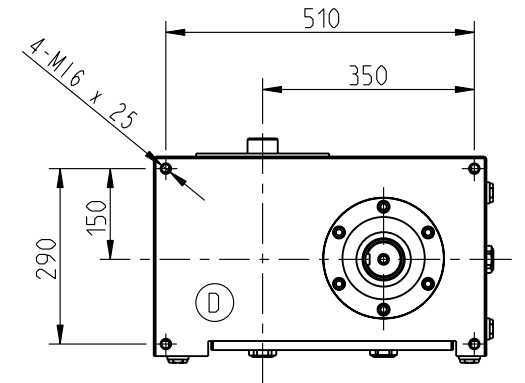
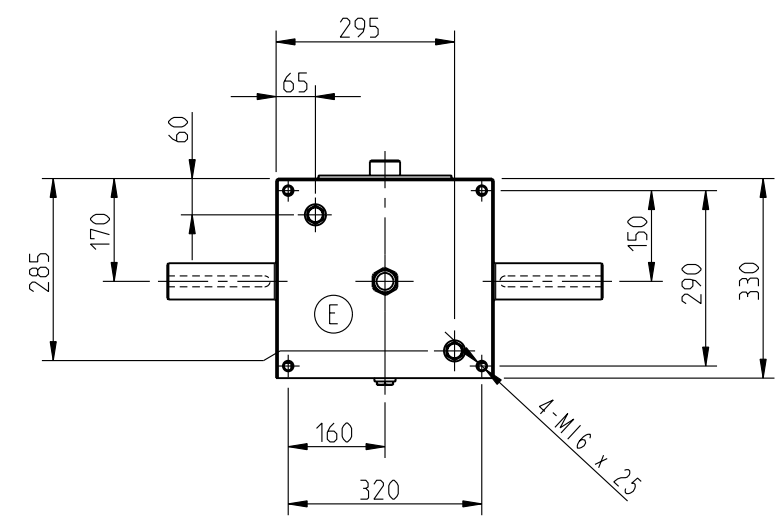
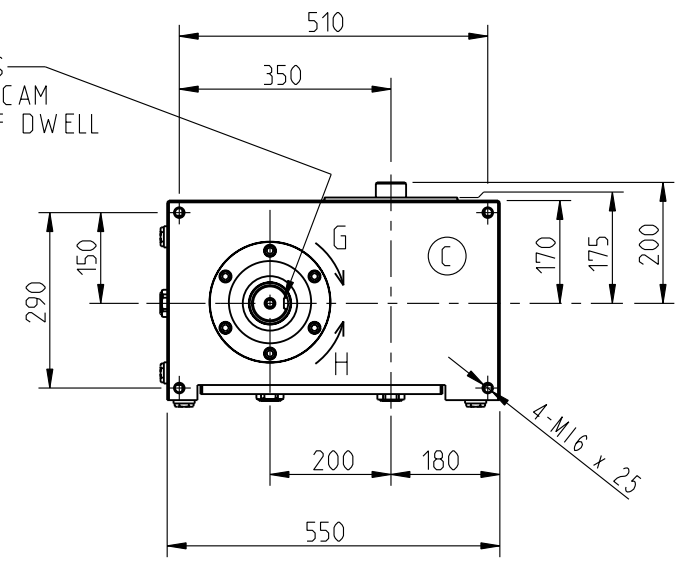
F
E
D
C
B
A

8 7 6 5 4 3 2 1

SIZE	GC 200
No OF STOPS	
MOTION LAW	
INDEX ANGLE	
CAM GEOMETRY	
CAM TYP	
CAM HANDING	
MOUNTING POS.	
MOUNTING FACE	
INPUT SHAFT P.	



KEYWAY IN THIS POSITION WHEN CAM IS ON CENTRE OF DWELL



4-HOLES TAPPED M12 x 20 DEEP
EQUI-SPACED ON 130 P.C.D.
(A TAPPED HOLE WILL APPEAR IN THIS POSITION WHEN CAM IS ON DWELL)

NOTE!
THE OIL PLUGS HAVE BEEN SHOWN FOR ALL POSSIBLE MOUNTING POSITIONS.
IN A STANDARD UNIT THERE WILL BE 3 OIL PLUGS ON ANY ONE FACE.

	Massstab	Datum	Name	Material		
	Bearb.			All. Toleranz	SN 258440-f	
	Gepr.			Ersetzt durch		
				Ersatz fuer		
h				 GC 200 INDEXER INSTALLATION DRAWING GC 200_CATALOG		
g						
f						
e						
d						
c						
b				Witzbergstr. 23	Blatt 1	
a				CH-8330 Pfaeffikon		
Nr.	Aenderung	Datum	Name	Schutzvermerk n. DIN 34 beach.	EDV Nr. GC200_CATALOG	