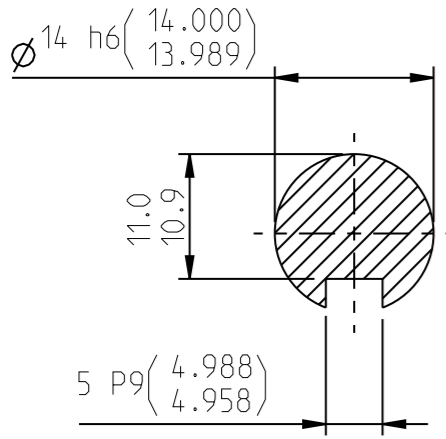
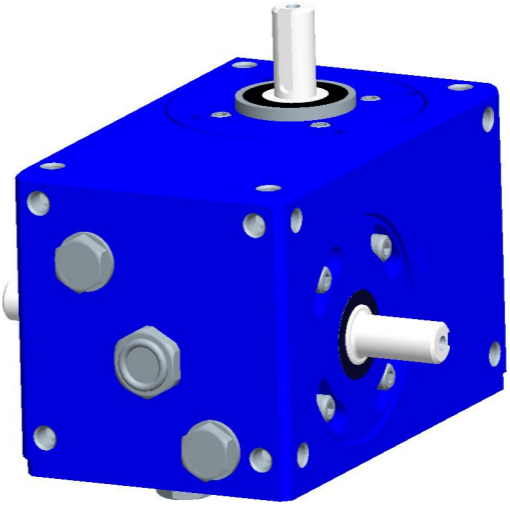
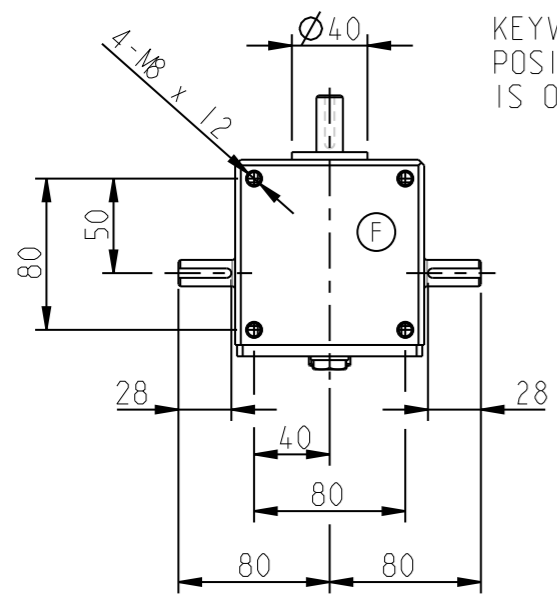
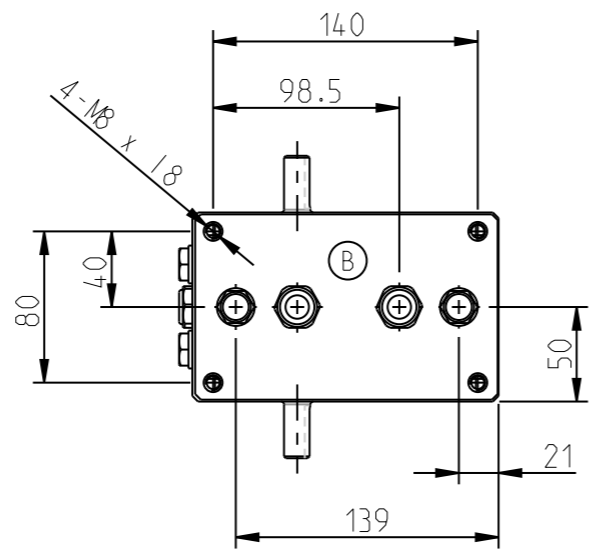


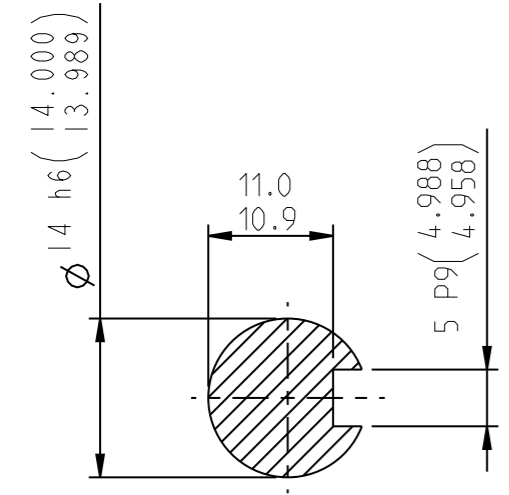
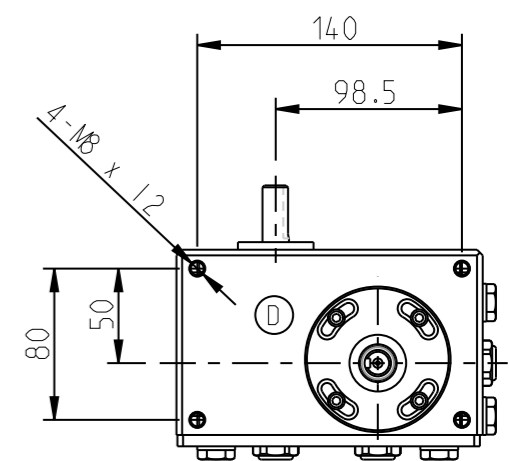
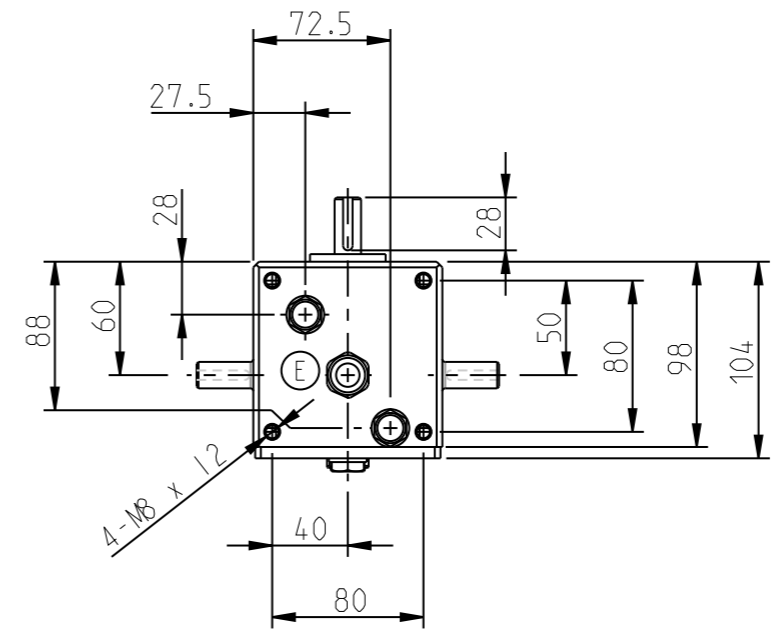
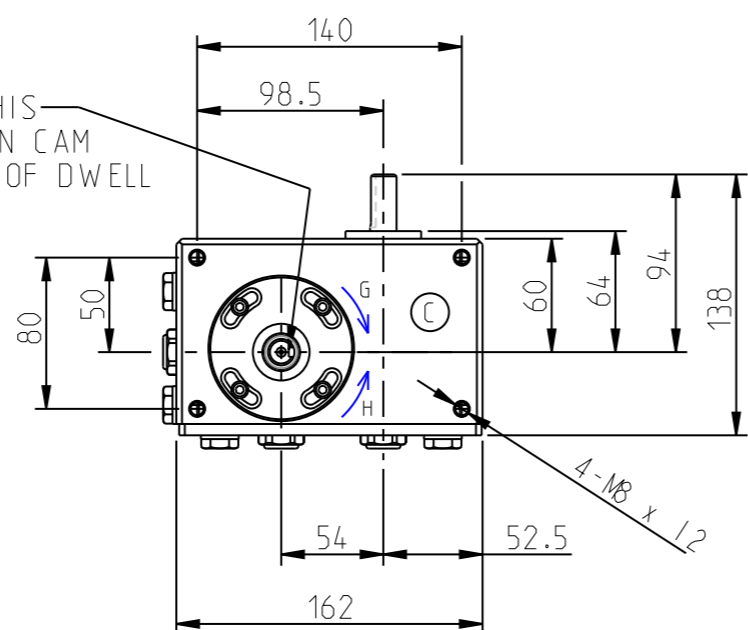
SIZE	GC50
No OF STOPS	
MOTION LAW	
INDEX ANGLE	
CAM GEOMETRY	
CAM TYP	
CAM HANDING	
MOUNTING POS.	
MOUNTING FACE	
INPUT SHAFT P.	



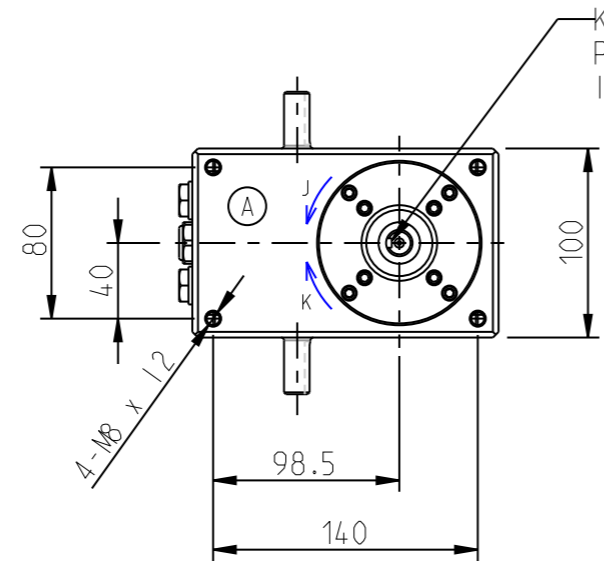
SECTION T-T (SCALE 3:2)
THRO' OUTPUT SHAFT



KEYWAY IN THIS POSITION WHEN CAM IS ON CENTRE OF DWELL



SECTION X-X (SCALE 3:2)
TYP. SECTION THRO'
INPUT SHAFTS



KEYWAY IN THIS POSITION WHEN CAM IS ON CENTRE OF DWELL

NOTE!
THE OIL PLUGS HAVE BEEN SHOWN FOR ALL POSSIBLE MOUNTING POSITIONS.
IN A STANDARD UNIT THERE WILL BE 3 OIL PLUGS ON ANY ONE FACE.

	Massstab	Datum	Name	Material	
	1:4	21.09.07		All. Toleranz	SN 258440-f
				Ersetzt durch	
				Ersatz fuer	
h					GC50 INDEXER INSTALLATION DRAWING
g					
f					
e					
d					
c					
b				Witzbergstr. 23	GC50 CATALOG
a				CH-8330 Pfaeffikon	
Nr.	Aenderung	Datum	Name	Schutzvermerk n. DIN 34 beach.	EDV Nr. GC50_CATALOG
					Blatt 1
					1 BL