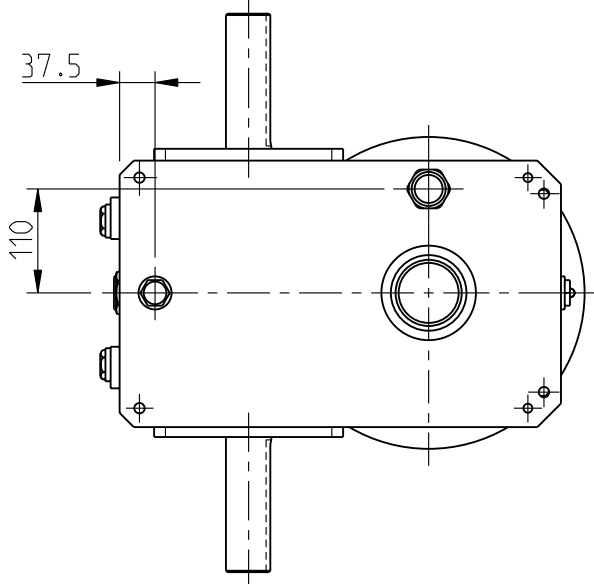
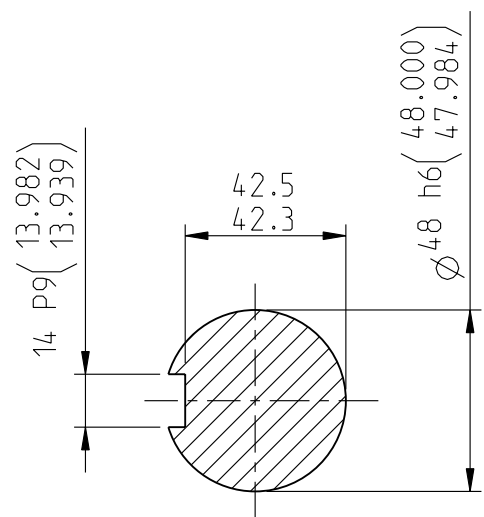
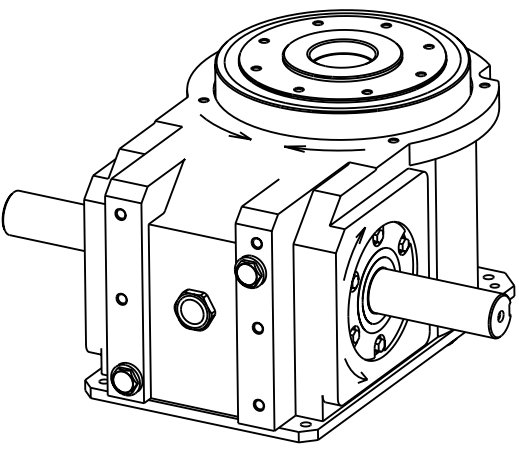
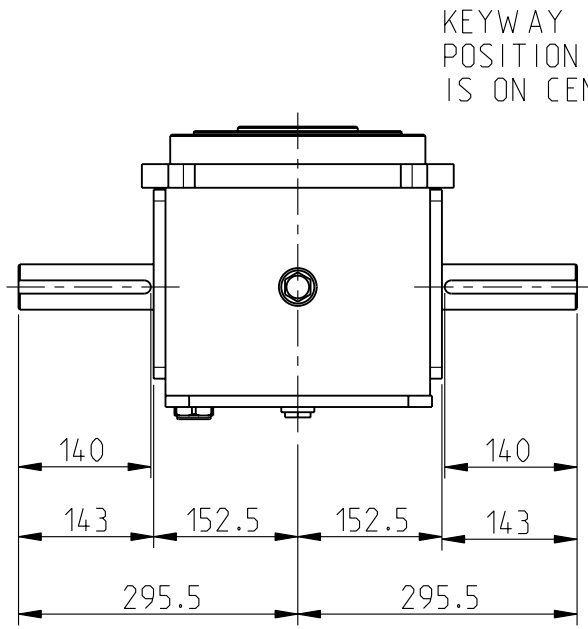


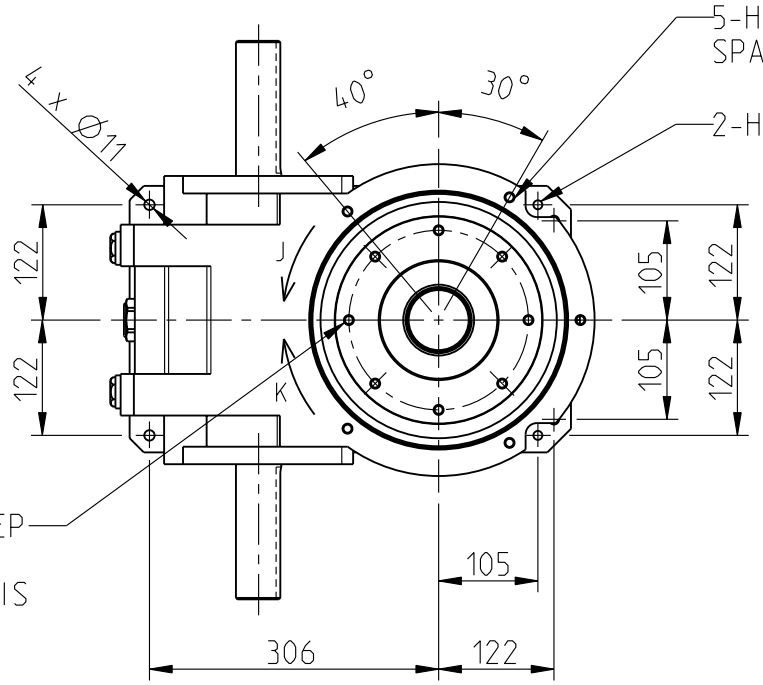
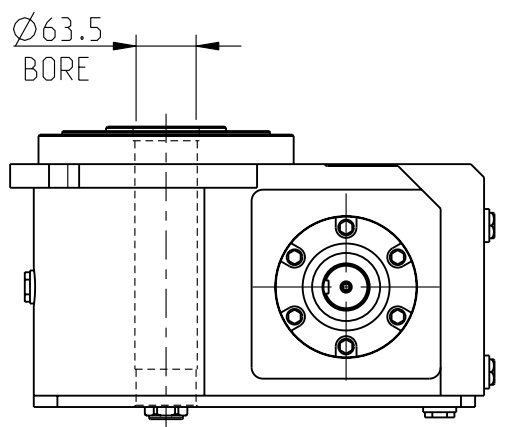
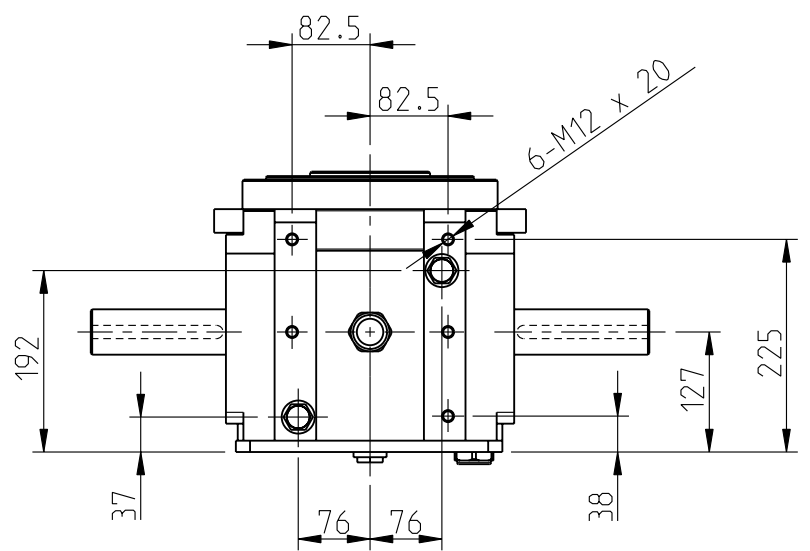
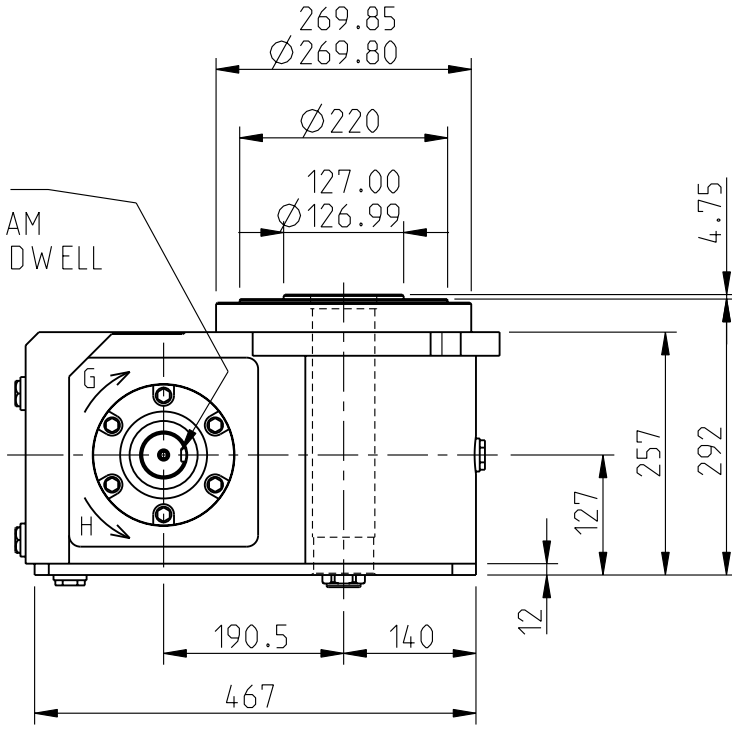
SIZE	HD190
No OF STOPS	
MOTION LAW	
INDEX ANGLE	
CAM GEOMETRY	
CAM TYP	
CAM HANDING	
MOUNTING POS.	
MOUNTING FACE	
INPUT SHAFT P.	



SECTION X-X (SCALE 1:2)
TYP. THRO' INPUT SHAFT



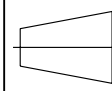
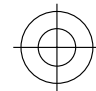

KEYWAY IN THIS POSITION WHEN CAM IS ON CENTRE OF DWELL



5-HOLES TAPPED M10 x 1.5 x 20 DEEP SPACED AS SHOWN ON 300 P.C.D
2-HOLES TO SUIT Ø10 DOWELS

8-HOLES TAPPED M10 x 1.5 x 20 DEEP EQUI-SPACED ON 190 P.C.D
A TAPPED HOLE WILL APPEAR IN THIS POSITION WHEN CAM IS ON DWELL

NOTE!
THE OIL PLUGS HAVE BEEN SHOWN FOR ALL POSSIBLE MOUNTING POSITIONS.
IN A STANDARD UNIT THERE WILL BE ONLY 3 OIL PLUGS.

 	Massstab	Datum	Name	Material	
	Bearb.			All. Toleranz	SN 258440-f
	Gepr.			Ersetzt durch	
	Plot			Ersatz fuer	
h				 HD190 INDEXER INSTALLATION DRAWING Witzbergstr. 23 CH-8330 Pfaeffikon	
g					
f					
e					
d					
c					
b					
a					Blatt 1
Nr.	Aenderung	Datum	Name	Schutzvermerk n. DIN 34 beach.	EDV Nr. HD190_CATALOG
					1 BL