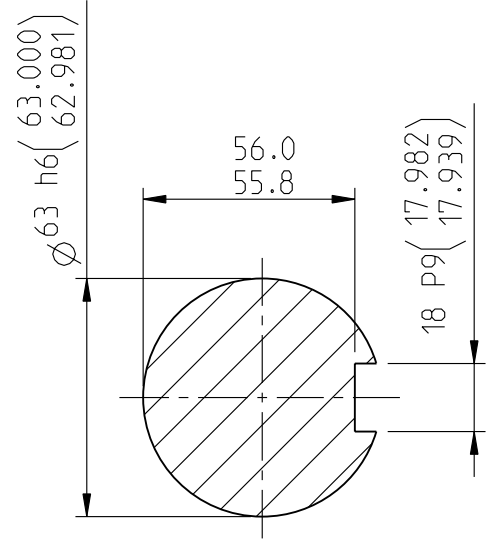
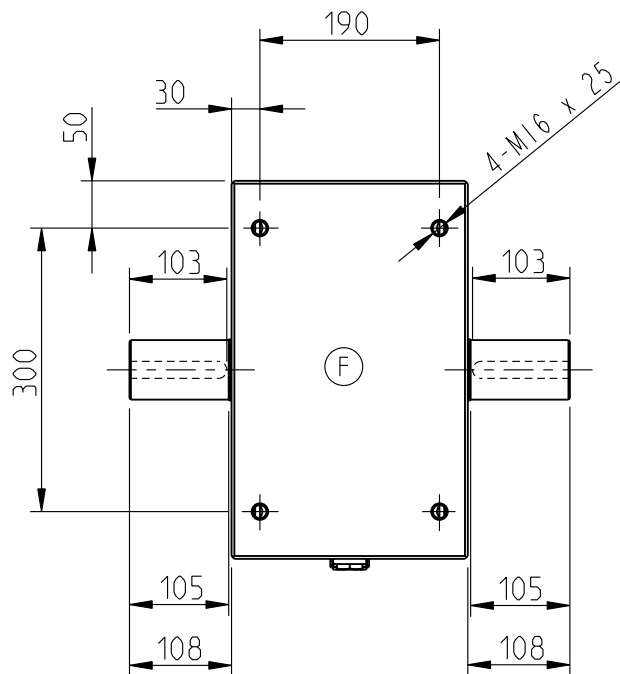
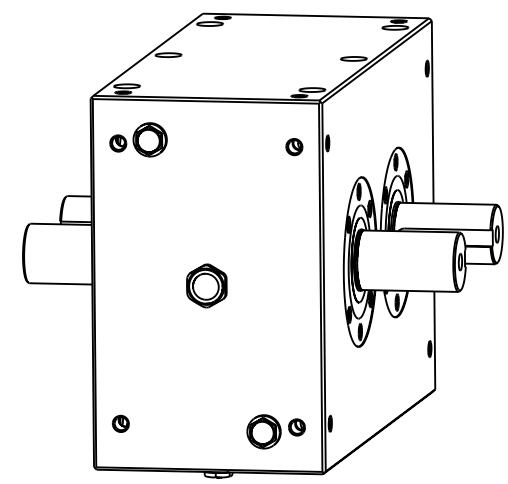
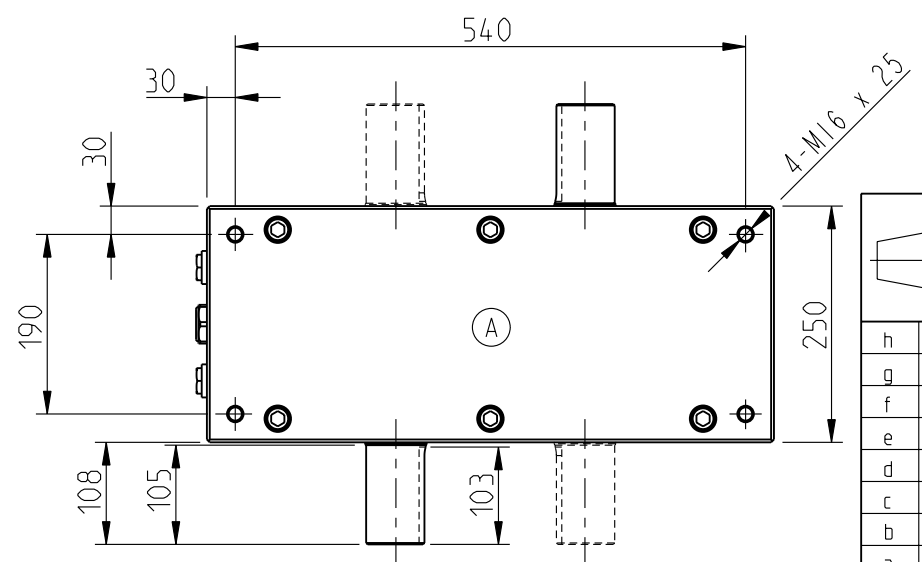
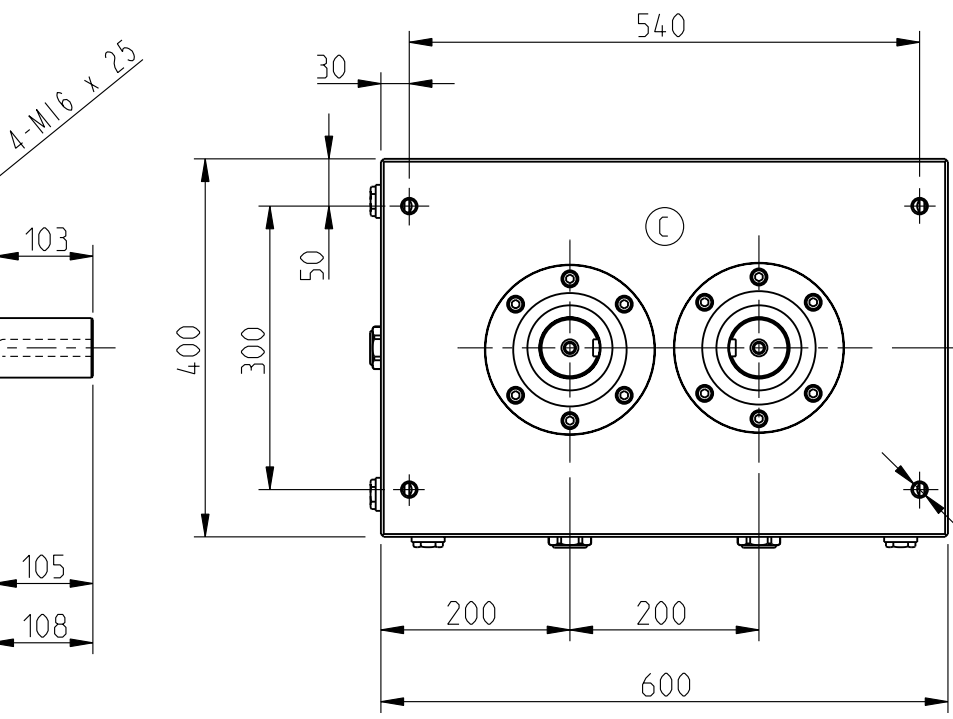
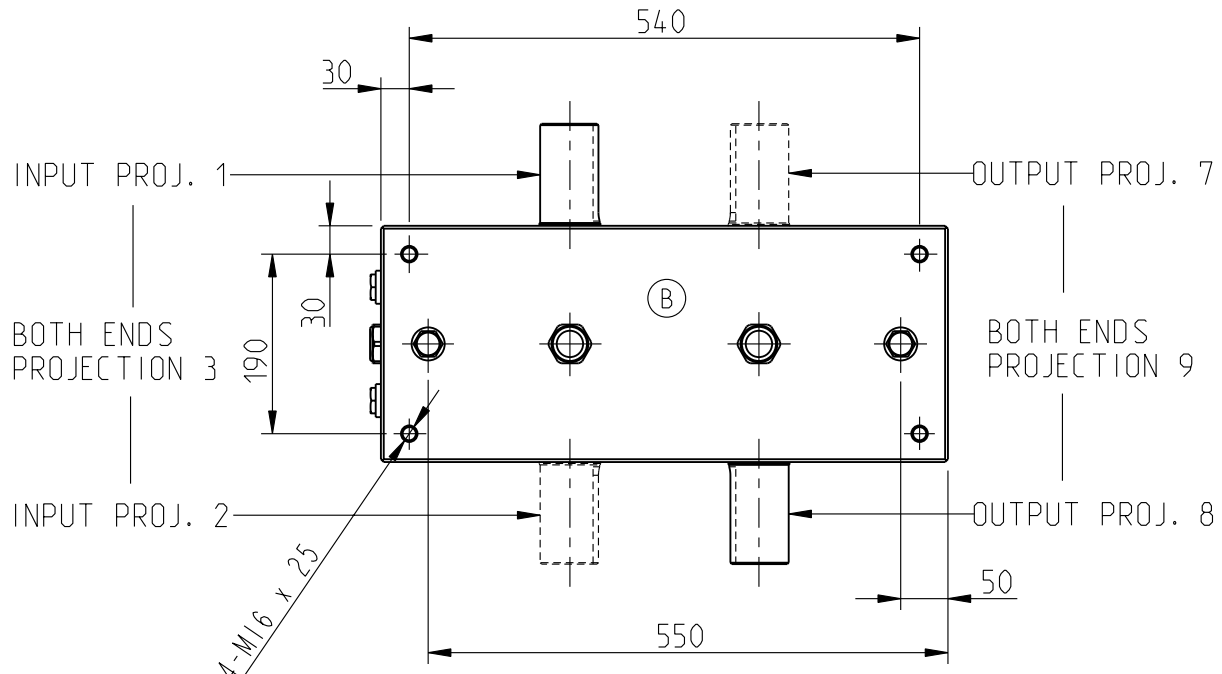


SECTION X-X (SCALE 1:2)  
INPUT SHAFT

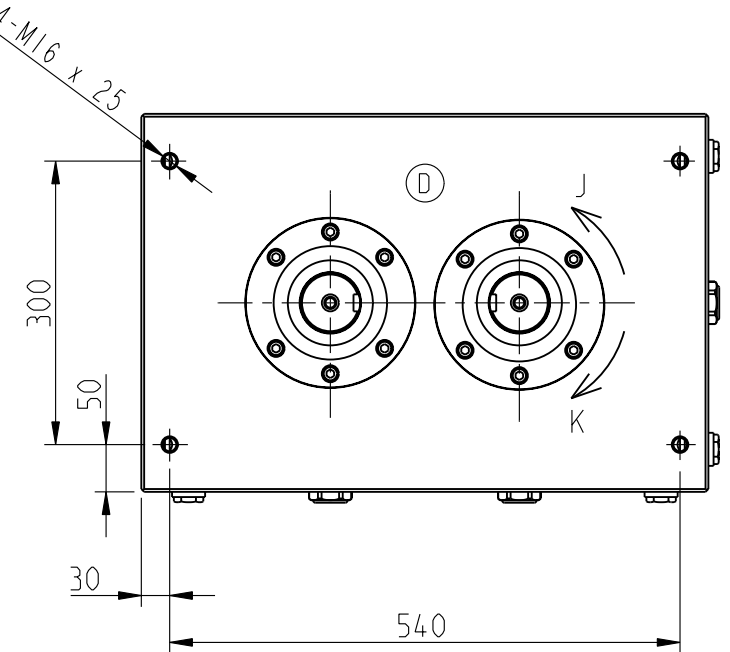
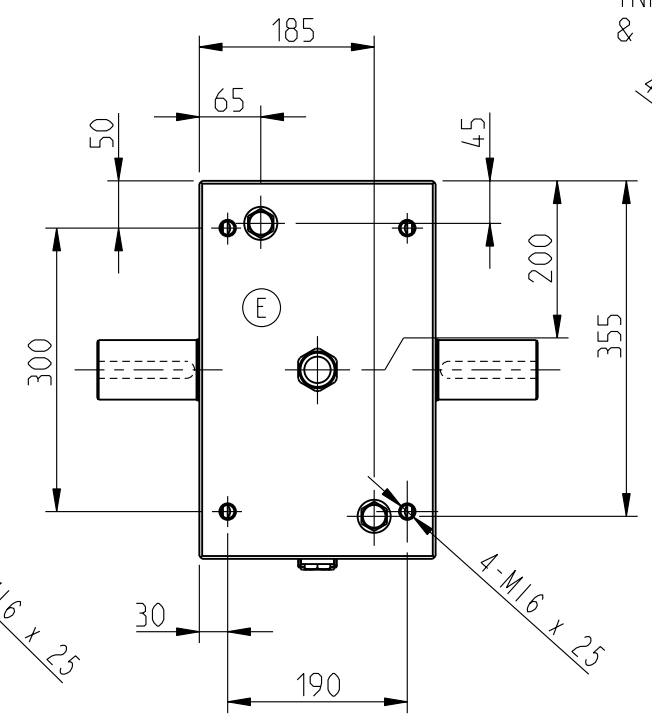


SECTION Y-Y (SCALE 1:2)  
OUTPUT SHAFT



SIZE	PC200
No OF STOPS	
MOTION LAW	
INDEX ANGLE	
CAM GEOMETRY	
CAM TYP	
CAM HANDING	
MOUNTING POS.	
MOUNTING FACE	
INPUT SHAFT P.	

KEYWAYS WILL BE IN THE POSITION SHOWN WHEN CAM IS ON THE CENTRE OF DWELL. INPUT SHAFT MAY ROTATE IN EITHER DIRECTION & PRODUCES OPPOSITE OUTPUT SHAFT ROTATION.



NOTE!  
THE OIL PLUGS HAVE BEEN SHOWN FOR ALL POSSIBLE MOUNTING POSITIONS. IN A STANDARD UNIT THERE WILL BE 3 OIL PLUGS ON ANY ONE FACE. SHAFT PROJECTIONS 1 & 8 ARE STANDARD.

	Massstab	Datum	Name	Material	
	Bearb.			All. Toleranz SN 258440-f	
	Gepr.			Ersetzt durch	
	Plot			Ersatz fuer	
h					
g					
f					
e					
d					
c					
b					
a					
Nr.	Aenderung	Datum	Name	Witzbergstr. 23 CH-8330 Pfaeffikon	<b>PC200 INDEXER</b> INSTALLATION DRAWING <b>PC200_CATALOG</b>
				Schutzvermerk n. DIN 34 beach.	