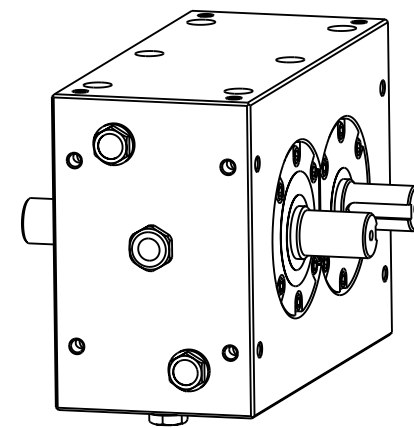
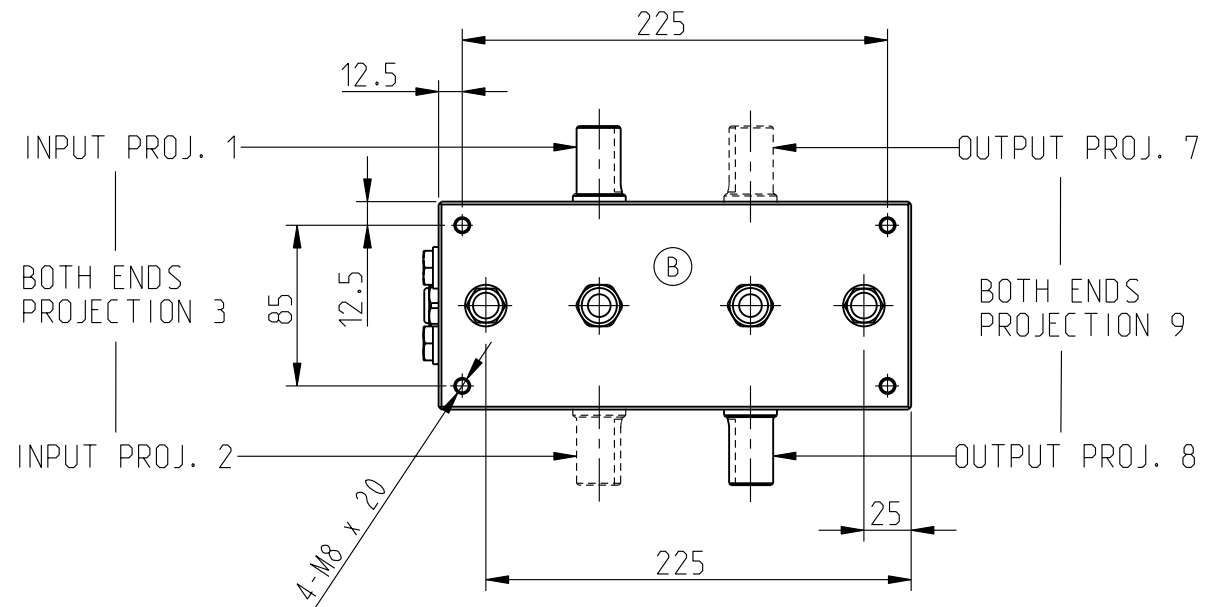
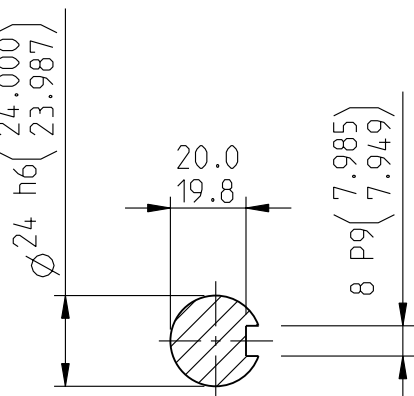
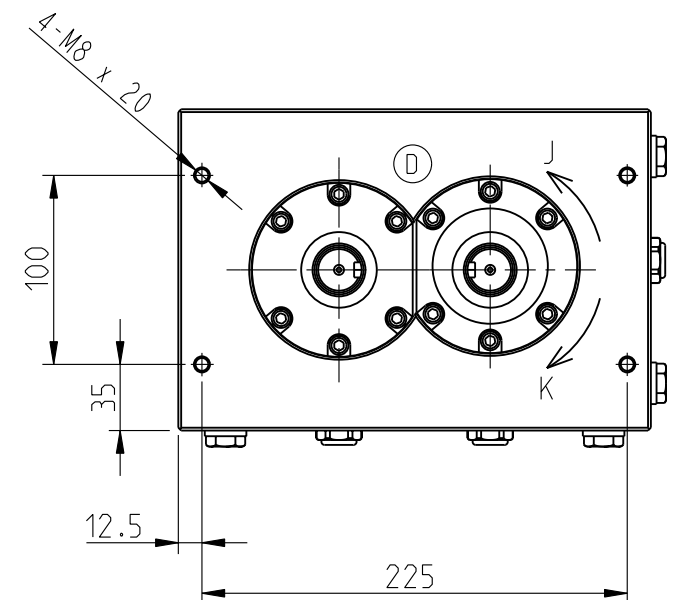
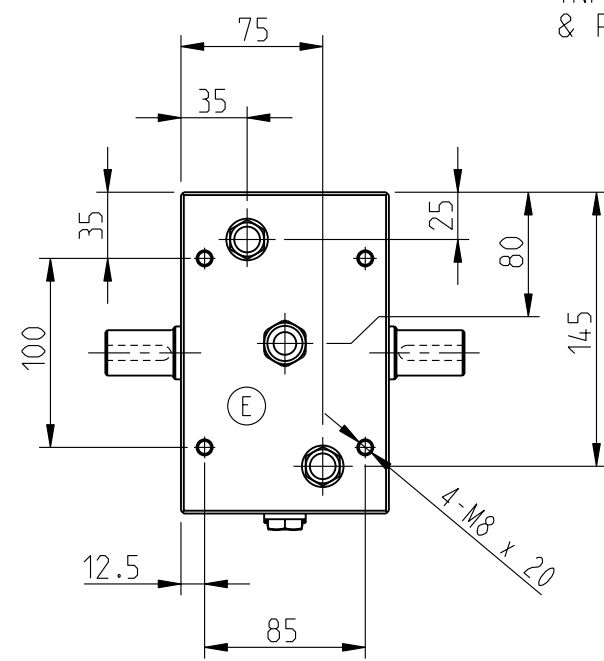
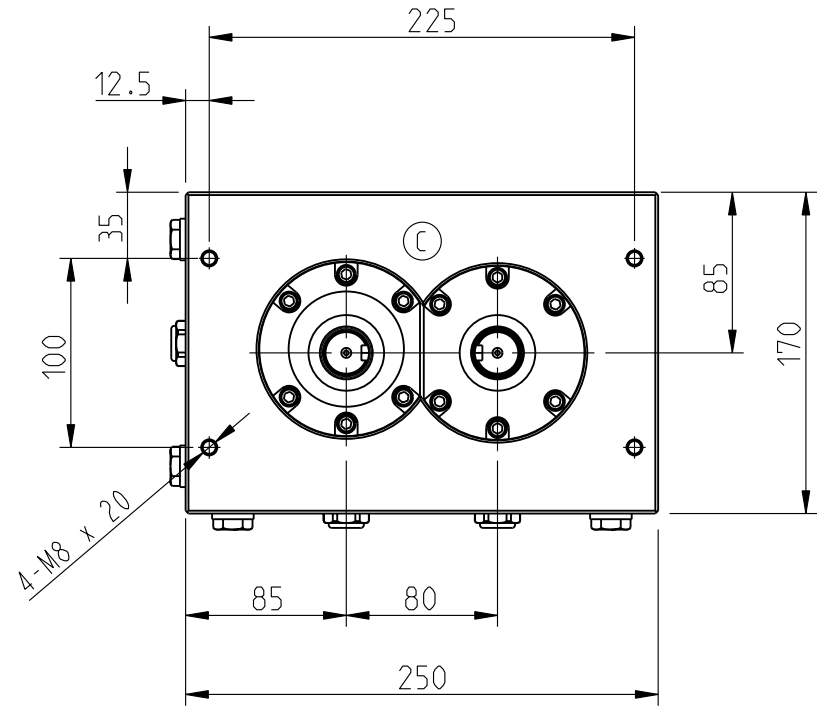
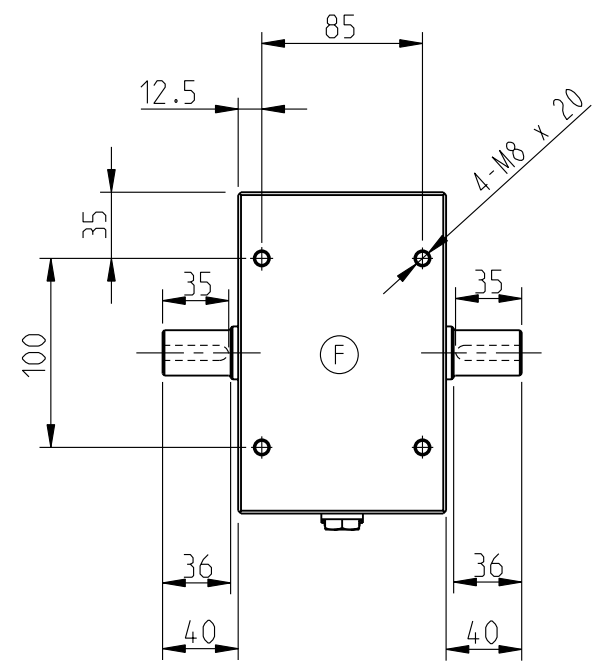


SECTION X-X (SCALE 1:2)
INPUT SHAFT

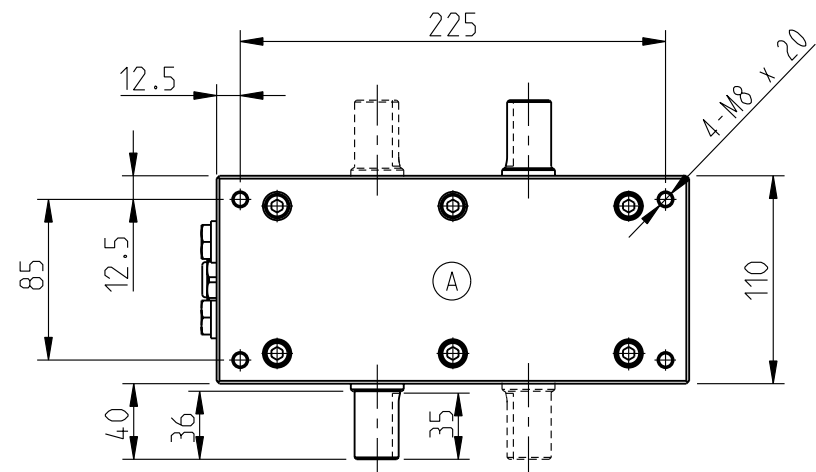


SIZE	PC80
No OF STOPS	
MOTION LAW	
INDEX ANGLE	
CAM GEOMETRY	
CAM TYP	
CAM HANDING	
MOUNTING POS.	
MOUNTING FACE	
INPUT SHAFT P.	

KEYWAYS WILL BE IN THE POSITION SHOWN WHEN CAM IS ON THE CENTRE OF DWELL. INPUT SHAFT MAY ROTATE IN EITHER DIRECTION & PRODUCES OPPOSITE OUTPUT SHAFT ROTATION.



SECTION Y-Y (SCALE 1:2)
OUTPUT SHAFT



NOTE!
THE OIL PLUGS HAVE BEEN SHOWN FOR ALL POSSIBLE MOUNTING POSITIONS. IN A STANDARD UNIT THERE WILL BE 3 OIL PLUGS ON ANY ONE FACE. SHAFT PROJECTIONS 1 & 8 ARE STANDARD.

	Massstab	Datum	Name	Material		
	Bearb.			All. Toleranz SN 258440-f		
	Gepr.			Ersetzt durch		
	Plot			Ersatz fuer		
h				PC80 INDEXER		
g					INSTALLATION DRAWING	
f				Witzbergstr. 23 CH-8330 Pfaeffikon	PC80_CATALOG	
e						Blatt 1
d						
c						
b						
a						
Nr.	Aenderung	Datum	Name	Schutzvermerk n. DIN 34 beach.	EDV Nr. PC80_CATALOG	