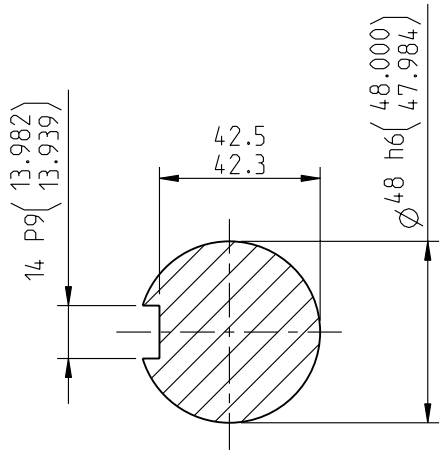
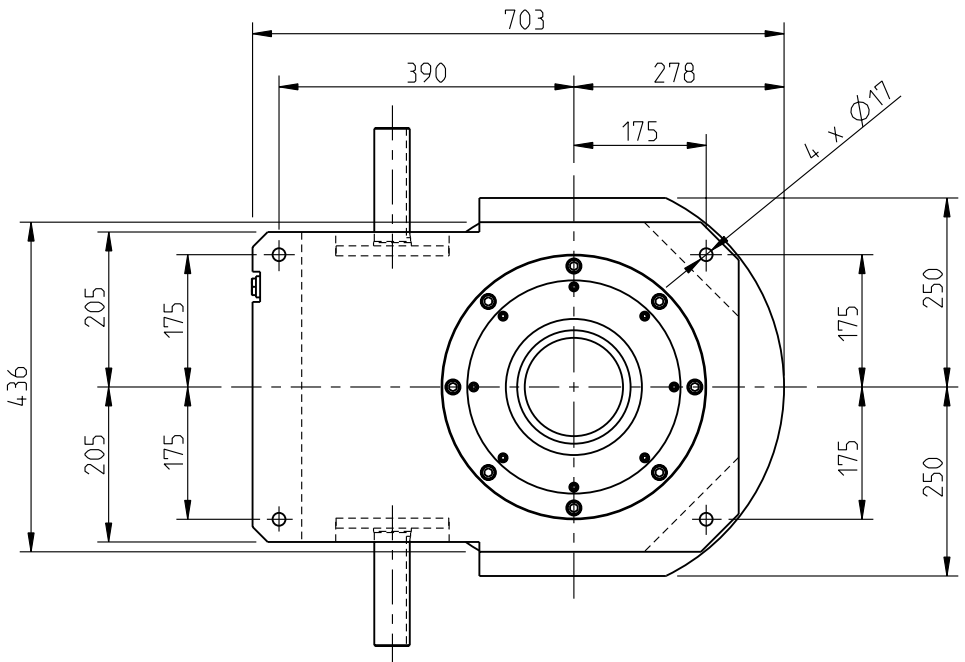
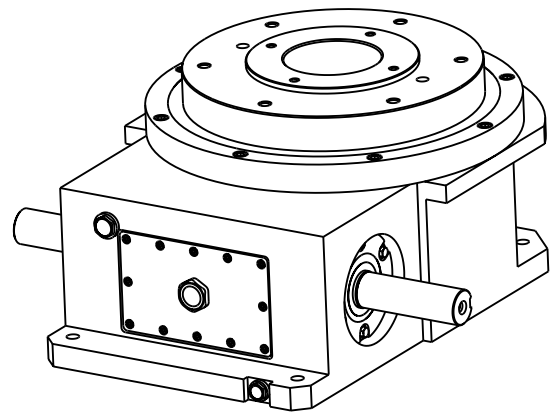
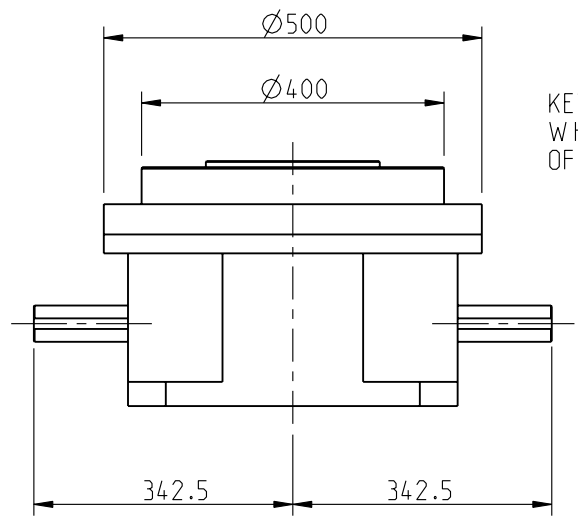


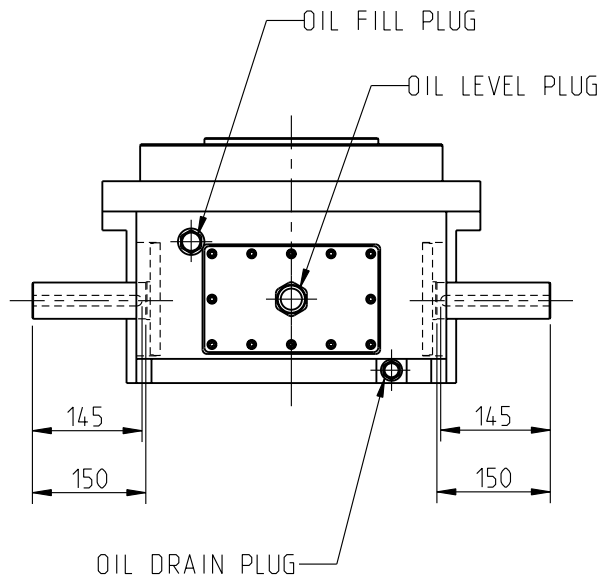
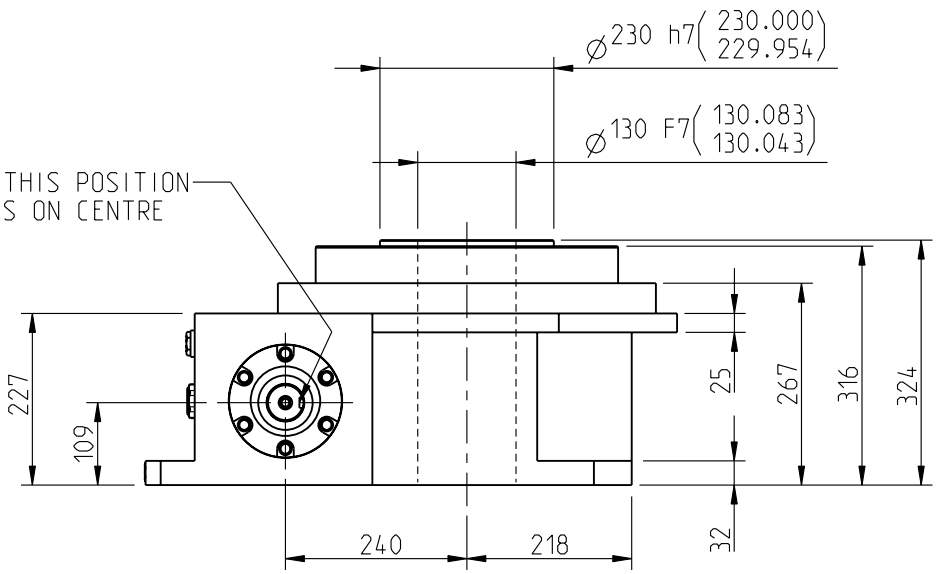
SIZE	RT240
No OF STOPS	
MOTION LAW	
INDEX ANGLE	
CAM GEOMETRY	
CAM TYP	
CAM HANDING	
MOUNTING POS.	
MOUNTING FACE	
INPUT SHAFT P.	



SECTION X-X (SCALE 1:2)
TYPICAL SECTION THRO'
INPUT SHAFTS



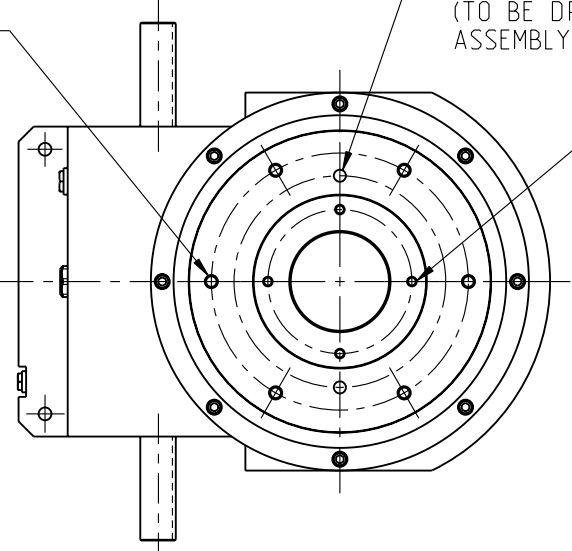
KEYWAY IN THIS POSITION
WHEN CAM IS ON CENTRE
OF DWELL



6-HOLES TAPPED M16 x 2.0 x 48 DEEP
EQUI-SPACED ON 340 P.C.D.
(A TAPPED HOLE WILL APPEAR IN THIS
POSITION WHEN CAM IS ON DWELL)

2-HOLES TO SUIT Ø16 DOWELS
EQUI-SPACED ON 280 P.C.D.
(TO BE DRILLED BY CUSTOMER ON
ASSEMBLY 35 DEEP MAX.)

4-HOLES TAPPED M12 x 1.75 x 27 DEEP
EQUI-SPACED ON 190.5 P.C.D.
(TO SUIT OVERLOAD CLUTCH)



	Massstab	Datum	Name	Material		
	Bearb.			All. Toleranz	SN 258440-f	
	Gepr.			Ersetzt durch		
	Plot			Ersatz fuer		
h				Inmara . . . Successful Solutions RT240 WITHOUT CENTRE POST INSTALLATION DRAWING Witzbergstr. 23 CH-8330 Pfaeffikon RT240_CLOG1		
g						
f						
e						
d						
c						
b					Blatt 1	
a					1 BL	
Nr.	Aenderung	Datum	Name	Schutzvermerk n. DIN 34 beach.	EDV Nr. RT240_CLOG1	